



भारतीय मानक ब्यूरो

(उपभोक्ता मामले, खाद्य एवं सार्वजनिक वितरण मंत्रालय, भारत सरकार)

BUREAU OF INDIAN STANDARDS

(Ministry of Consumer Affairs, Food & Public Distribution, Govt. of India)

मानक भवन, 9, बहादुर शाह ज़फ़र मार्ग, नई दिल्ली - 110002

Manak Bhawan, 9, Bahadur Shah Zafar Marg, New Delhi - 110002

Mob.: 7071963270, Phones: 011-23608594, Extn: 8594

Website: www.bis.org.in, www.bis.gov.in

व्यापक परिचालन मसौदा

हमारा संदर्भ: सीईडी 46 /टी-7

13 मार्च 2025

तकनीकी समिति: भारत की राष्ट्रीय भवन निर्माण विषय समिति, सीईडी 46

प्राप्तकर्ता :

1. सिविल अभियांत्रिकी विभाग परिषद, सीईडीसी के सभी सदस्य
2. राष्ट्रीय भवन निर्माण संहिता विषय समिति, सीईडी 46 के सभी सदस्य
3. सीईडी 46 की उपसीमितियों और अन्य कार्यदल के सभी सदस्य
4. रुचि रखने वाले अन्य निकाय।

महोदय/महोदया,

निम्नलिखित मानक का मसौदा संलग्न है:

प्रलेख संख्या	शीर्षक
सीईडी 46 (26840) WC	भारत की राष्ट्रीय भवन निर्माण संहिता भाग 6 संरचनात्मक डिजाइन अनुभाग 2 मृदा तथा नींव [SP7(भाग 6 अनुभाग 2) का चौथा पुनरीक्षण] (आई सी एस नंबर: 01.120: 91.040.01)

कृपया इस मसौदे का अवलोकन करें और अपनी समितियाँ यह बताते हुए भेजे कि यह मसौदा प्रकाशित हो तो इस पर अमल करने में आपको व्यवसाय अथवा कारोबार में क्या कठिनाइयाँ आ सकती हैं।

समितियाँ भेजने की अंतिम तिथि: 14 अप्रैल 2025

सम्मति यदि कोई हो तो कृपया अधोहस्ताक्षरी को ई-मेल द्वारा ced46@bis.gov.in पर या उपरलिखित पते पर, संलग्न फॉर्मेट में भेजें। समितियाँ बीआईएस ई-गवर्नेंस पोर्टल, www.manakonline.in के माध्यम से ऑनलाइन भी भेजी जा सकती हैं।

यदि कोई सम्मति प्राप्त नहीं होती है अथवा सम्मति में केवल भाषा संबंधी त्रुटि हुई तो उपरोक्त प्रलेख को यथावत अंतिम रूप दे दिया जाएगा। यदि सम्मति तकनीकी प्रकृति की हुई तो विषय समिति के अध्यक्ष के परामर्श से अथवा उनकी इच्छा पर आगे की कार्यवाही के लिए विषय समिति को भेजे जाने के बाद प्रलेख को अंतिम रूप दे दिया जाएगा।

यह प्रलेख भारतीय मानक ब्यूरो की वेबसाइट www.bis.gov.in पर भी उपलब्ध है।
धन्यवाद।

भवदीय

ह/-

(द्वैपायन भद्र)

वैज्ञानिक 'ई' एवं प्रमुख (सिविल अभियांत्रिकी विभाग)

संलग्न: उपरलिखित



भारतीय मानक ब्यूरो

(उपभोक्ता मामले, खाद्य एवं सार्वजनिक वितरण मंत्रालय, भारत सरकार)

BUREAU OF INDIAN STANDARDS

(Ministry of Consumer Affairs, Food & Public Distribution, Govt. of India)

मानक भवन, 9, बहादुर शाह ज़फ़र मार्ग, नई दिल्ली - 110002

Manak Bhawan, 9, Bahadur Shah Zafar Marg, New Delhi - 110002

Mob.: 7071963270, Phones: 011-23608594, Extn: 8594

Website: www.bis.org.in, www.bis.gov.in

WIDE CIRCULATION DRAFT

Our Reference: CED 46/T-7

13 March 2025

National Building Code of India Sectional Committee, CED 46

ADDRESSED TO:

1. All Members of Civil Engineering Division Council, CEDC
2. All Members of the National Building Code Sectional Committee, CED 46
3. All Members of Subcommittees, Panels and Working Groups under CED 46
4. All other interests

Dear Sir/Madam,

Please find enclosed the following draft:

Doc No.	Title
CED 46 (26840) WC	National Building Code of India Part 6 Structural Design Section 2 Soils and Foundations [Fourth Revision of SP 7 (Part 6 Section 2)] (ICS No. 01.120: 91.040.01)

Kindly examine the attached draft and forward your views stating any difficulties which you are likely to experience in your business or profession, if this is finally adopted as National Standard.

Last Date for comments: 14 April 2025

Comments if any, may please be made in the enclosed format and emailed at ced46@bis.gov.in or sent at the above address. Additionally, comments may be sent online through the BIS e-governance portal, www.manakonline.in.

In case no comments are received or comments received are of editorial nature, kindly permit us to presume your approval for the above document as finalized. However, in case comments, technical in nature are received, then it may be finalized either in consultation with the Chairman, Sectional Committee or referred to the Sectional Committee for further necessary action if so desired by the Chairman, Sectional Committee.

The document is also hosted on BIS website www.bis.gov.in.

Thanking you,

Yours faithfully,

Sd/-

(Dwaipayan Bhadra)
Scientist 'E' / Director and Head
(Civil Engineering Department)

Encl: As above

FORMAT FOR SENDING COMMENTS ON THE DOCUMENT

[Please use A4 size sheet of paper only and type within fields indicated. Comments on each clause/sub-clause/ table/figure, etc, be stated on a fresh row. Information/comments should include reasons for comments, technical references and suggestions for modified wordings of the clause. **Comments through e-mail to 5ced46@bis.gov.in shall be appreciated.**

Doc. No.: CED 46 (26840) WC

BIS Letter Ref: CED 46/T-7

Title: National Building Code of India Part 6 Structural Design Section 2 Soils and Foundations [Fourth Revision of SP 7 (Part 6 Section 2)] (ICS No.01.120:91.040.01)

Last date of comments: **14 April 2025**

Name of the Commentator/ Organization: _____

Clause/ Para/ Table/ Figure No. commented	Comments/Modified Wordings	Justification of Proposed Change

NOTE- Kindly insert more rows as necessary for each clause/table, etc

BUREAU OF INDIAN STANDARDS

DRAFT FOR COMMENTS ONLY

(Not to be reproduced without the permission of BIS or used as a Standard)

Draft Indian Standard

National Building Code of India

Part 6 Structural Design Section 2 Soils and Foundations

[Fourth Revision of SP 7 (Part 6 Section 2)]

(ICS No. 01.120: 91.040.01)

**National Building Code Sectional
Committee, CED 46**

**Last Date for Comments:
14 April 2025**

C O N T E N T S

FOREWORD

- 1 SCOPE
 - 2 TERMINOLOGY
 - 3 SITE INVESTIGATION
 - 4 CLASSIFICATION AND IDENTIFICATION OF SOILS
 - 5 MATERIALS
 - 6 GENERAL REQUIREMENTS FOR FOUNDATIONS/SUB-STRUCTURES FOR BUILDINGS
 - 7 SHALLOW FOUNDATIONS
 - 8 DEEP FOUNDATIONS
 - 9 DESIGN AND CONSTRUCTION OF COMBINED PILED RAFT FOUNDATIONS
 - 10 OTHER FOUNDATIONS, SUBSTRUCTURES AND FOUNDATIONS FOR SPECIAL STRUCTURES
 - 11 GROUND IMPROVEMENT
 - 12 GEOTECHNICAL INSTRUMENTATION
- ANNEX A DETERMINATION OF MODULUS OF ELASTICITY (E_s) AND POISSONS RATIO (μ)

ANNEX B	DETERMINATION OF MODULUS OF SUBGRADE REACTION
ANNEX C	RIGIDITY OF SUPERSTRUCTRE AND FOUNDATION
ANNEX D	CALCULATION OF PRESSURE DISTRIBUTION BY CONVENTIONAL METHOD
ANNEX E	CONTACT PRESSURE DISTRIBUTION AND MOMENTS BELOW FLEXIBLE FOUNDATION
ANNEX F	FLEXIBLE FOUNDATION – GENERAL CONDITION
ANNEX G	LOAD CARRYING CAPACITY OF PILES - STATIC ANALYSIS
ANNEX H	ANALYSIS OF LATERALLY LOADED PILES
ANNEX J	LOAD CARRYING CAPACITY OF UNDER-REAMED PILES FROM SOIL PROPERTIES
ANNEX K	LOAD CARRYING CAPACITY
ANNEX M	SOIL IMPROVEMENT METHODS

LIST OF STANDARDS

National Building Code Sectional Committee, CED 46

FOREWORD

This Code (Part 6/Section 2) deals with the structural design aspects of foundations and mainly covers the design principles involved in different types of foundations.

This Section was published in 1970, and subsequently revised in 1983, 2005 and 2016. In the first revision of 1983, design considerations in respect of shallow foundation were modified, provisions regarding pier foundation were added and provisions regarding raft foundation and pile foundation were revised and elaborated. In the second revision of 2005, design considerations in respect of shallow foundations were again modified, method for determining depth of fixity, lateral deflection and maximum moment of laterally loaded piles were modified and reference was made to ground improvement techniques.

In the third revision in 2016, the significant changes incorporated were: including the extension of the scope to cover the design of foundations on rock, modifications to definitions in line with prevailing engineering practices; addition of new terms related to pile foundations and ground improvement; inclusion of the clause on site investigation and number of modifications, such as, new methods of soil investigation; addition of depth of exploration for pile foundations; addition of new sub-clauses on vertical interval for field tests and site investigation report; inclusion of method for assessment of liquefaction potential of a site; modification of permissible differential settlements and tilt (angular distortion) for shallow foundations in soils; modification of procedures for calculation of bearing capacity, structural capacity, factor of safety, lateral load capacity, overloading, etc, in case of pile foundations; revision of design parameters with respect to adhesion factor, earth pressure coefficient, modulus of subgrade reaction, etc, for design of pile foundations to make them consistence with the outcome of modern research and construction practices; inclusion of provision for use of any established dynamic pile driving formulae, instead of recommending any specific formula, to control the pile driving at site, giving due consideration to limitations of various formulae; inclusion of a reference to spun piles, which are used in deep marshy soils where conventional pile installation beyond 50 m is difficult; elaboration of the clause on ground improvement techniques; and addition of a table on summary of soil improvement methods.

As a result of technical developments in this subject, the experience gained since implementation of 2016 version of the Code and feedback received as well as the revision of related Indian Standards on the subject, a need was felt to revise this Section. The significant modifications made in this revision of the subsection include amongst others, the following:

- a) Provisions on location and depth of investigation have been modified;

- b) Provisions on various boring techniques have been updated and continuous soil samplers have been included;
- c) Provisions on wash boring and mud-rotary boring have been deleted;
- d) Series of in-situ tests have been added, such as static cone penetration test using piezocone with pore pressure measurement (CPTu), field California bearing ratio (CBR) test, cross hole seismic test (CHST), ground penetrating radar survey (GPR), spectral analysis of surface wave (SASW) and multi-channel analysis of surface wave (MASW), dilatometer test (DMT) and *in-situ* permeability test, etc;
- e) Provisions on optical and acoustic tele-viewer methods have been added;
- f) Provisions on pressuremeter test (PMT) have been detailed;
- g) Detailed explanation for deep foundation has been added;
- h) Provision for design and construction of combined piled raft foundations (CPRF) has been added.
- i) Provision relating to geotechnical instrumentation has been introduced.

For detailed information regarding structural analysis and soil mechanics aspects of individual foundations, reference should be made to standard textbooks and available literature.

The information contained in this section is mainly based on the following Indian Standards:

IS 1080:1985	Code of practice for design and construction of shallow foundations in soils (other than raft, ring and shell) (<i>second revision</i>)
IS 1892:2021	Subsurface investigation for foundations – Code of practice (<i>second revision</i>)
IS 1904:2021	General requirements for design and construction of foundation in soils – Code of practice (<i>fourth revision</i>)
IS 2911	Code of practice for design and construction of pile foundations
(Part 1/Sec 1):2010	Concrete piles: Section 1 Driven cast <i>in-situ</i> concrete piles (<i>second revision</i>)
(Part 1/Sec 2):2010	Concrete piles: Section 2 Bored cast <i>in-situ</i> piles (<i>second revision</i>)
(Part 1/Sec 3):2010	Concrete piles: Section 3 Driven precast concrete piles (<i>second revision</i>)
(Part 1/Sec 4):2010	Concrete piles: Section 4 Precast concrete piles in prebored holes (<i>first revision</i>)

(Part 2):2021 (Part 3):2021	Timber piles (<i>second revision</i>) Under-reamed piles (<i>second revision</i>)
IS 2950 (Part 1):1981	Code of practice for design and construction of raft foundations: Part 1 Design (<i>second revision</i>)
IS 19117 : 20xx	Design and construction of combined piled raft foundations — Code of practice

All standards, whether given herein above or cross-referred to in the main text of this Section, are subject to the revision. The parties to agreement based on this Section are encouraged to investigate the possibility of applying the most recent editions of the standards.

For the purpose of deciding whether a particular requirement of this standard is complied with, the final value, observed or calculated, expressing the result of a test or analysis, shall be rounded off in accordance with IS 2:2022 'Rules for rounding off numerical values (*Second Revision*)'. The number of significant places retained in the rounded off value should be the same as that of the specified value in this Section.

Important Explanatory Note for Users of the Code

In any Part/Section of this Code, where reference is made to '**good practice**' in relation to **design, constructional procedures or other related information**, and where reference is made to "**accepted standard**" in relation to **material specification, testing, or other related information**, the Indian Standards listed at the end of the Part/Section shall be used as a guide to the interpretation.

At the time of publication, the editions indicated in the standards were valid. All standards are subject to revision and parties to agreements based on any Part/ Section are encouraged to investigate the possibility of applying the most recent editions of the standards.

In the list of standards given at the end of a Part/Section, the number appearing within parentheses in the first column indicates the number of the reference of the standard in the Part/Section. For example:

a) Good practices [6-2(1)] refers to the Indian Standard(s) give at serial number (1) of the list of standards given at the end of this Part/Section, that is, IS 1892:2021 'Code of practice for subsurface investigation for foundation (*second revision*)', IS 2131:1981 'Method of standard penetration test for soils (*first revision*)', IS 2132:1986 'Code of practice for thin walled tube sampling of soils (*second revision*)', IS 4434:1978 'Code of practice for in-situ vane shear test for soils (*first revision*)', IS 4968 (Part 1):1976 'Method for subsurface sounding for soils: Dynamic method using 50 mm cone without bentonite slurry (*first revision*)', IS 4968 (Part 2):1976 'Method for subsurface sounding for soils: Dynamic method using cone and bentonite slurry (*first revision*)', IS 4968 (Part 3):1976 'Method for subsurface sounding for soils: Static cone penetration test (*first revision*)', IS 8763:1978 'Guide for undisturbed sampling of sands and sandy soils' and IS 9214:1979 'Method for determination of modulus of subgrade reaction (k-value) of soils in the field'.

DRAFT FOR COMMENTS ONLY

(Not to be reproduced without the permission of BIS or used as a Standard)

Draft Indian Standard

National Building Code of India

Part 6 Structural Design Section 2 Soils and Foundations

[Fourth Revision of SP 7 (Part 6 Section 2)]

(ICS No. 01.120: 91.040.01)

**National Building Code Sectional
Committee, CED 46**

**Last Date for Comments:
14 April 2025**

1 SCOPE

1.1 This Code (Part 6/Section 2) covers geotechnical design (principles) of building foundations, such as shallow foundations, like, continuous strip footings, combined footings, raft foundations, deep foundations like pile foundations and other foundation systems to ensure safety and serviceability without exceeding the permissible stresses of the materials of foundations and the bearing capacity of the supporting soil/rock.

1.2 It also covers provisions relating to preliminary work required for construction of foundations and protection of excavation.

2 TERMINOLOGY

For the purpose of this Section, the following definitions shall apply.

2.1 General

2.1.1 *Clay* – An aggregate of microscopic and sub-microscopic particles derived from the chemical decomposition and disintegration of rock constituents. It is plastic within a moderate to wide range of water content. The particles are less than 0.002 mm in size.

2.1.2 *Clay, Firm* – A clay which at its natural water content can be moulded by substantial pressure with the fingers and can be excavated with a spade.

2.1.3 *Clay, Soft* – A clay which at its natural water content can be easily moulded with the fingers and readily excavated.

2.1.4 *Clay, Stiff* – A clay which at its natural water content cannot be moulded with the fingers and requires a pick or pneumatic spade for its removal.

2.1.5 *Foundation* – That part of the structure which is in direct contact with and transmits loads to the ground.

2.1.6 Gravel – Angular, rounded or semi-rounded particles of rock or soil of particle size between 4.75 mm and 75 mm.

2.1.7 Peat – A fibrous mass of organic matter in various stages of decomposition generally dark brown to black in colour and of spongy consistency.

2.1.8 Sand – Cohesionless aggregates of angular, sub-angular, sub-rounded, rounded, flaky or flat fragments of more or less unaltered rocks, or mineral of size between 4.75 mm and 0.075 mm IS Sieve.

2.1.9 Sand, Coarse – Sand of particle size between 2.0 mm and 4.75 mm IS Sieve.

2.1.10 Sand, Fine – Sand of particle size between 0.075 mm and 0.425 mm IS Sieve.

2.1.11 Sand, Medium – Sand of particle size between 0.425 mm and 2.0 mm IS Sieve.

2.1.12 Silt – Fine-grained soil or fine-grained portion of soil which exhibits a little or no plasticity and has a little or no strength when air dried. The size of particles ranges from 0.075 mm to 0.002 mm.

2.1.13 Soft Rock – A rocky cemented material which offers a high resistance to picking up with pick axes and sharp tools but which does not normally require blasting or chiselling for excavation.

2.1.14 Soil, Black Cotton – Inorganic clays of medium to high compressibility. They form a major soil group in India. They are predominately montmorillonitic in structure and yellowish black or blackish grey in colour. They are characterized by high shrinkage and swelling properties.

2.1.15 Soil, Coarse Grained – Soils which include the coarse and largely siliceous and unaltered products of rock weathering. They possess no plasticity and tend to lack cohesion when in dry state. In these soils, more than half the total material by weight is larger than 75-micron IS Sieve size.

2.1.16 Soil, Fine Grained – Soils consisting of the fine and altered products of rock weathering, possessing cohesion and plasticity in their natural state, the former even when dry and both even when submerged. In these soils, more than half of the material by weight is smaller than 75-micron IS Sieve size.

2.1.17 Soil, Highly Organic and Other Miscellaneous Soil Materials – Soils consisting of large percentages of fibrous organic matter, such as peat, and particles of decomposed vegetation. In addition, certain soils containing shells, concretions, cinders, and other non-soil materials in sufficient quantities are also grouped in this division.

2.1.18 Total Settlement – The total downward movement of the foundation unit under load.

2.2 Ground Improvement

2.2.1 Ground Improvement – Enhancement of the in-place properties of the ground by controlled application of technique suited to subsoil conditions.

2.2.2 Injection – Introduction of a chemical/cementitious material into a soil mass by application of pressure.

2.2.3 Preloading – Application of loads to achieve improvement of soil properties prior to imposition of structural loads.

2.2.4 Soil Densification – A technique to densify cohesionless soils by imparting shocks or vibrations.

2.2.5 Soil Reinforcement – Rods, strips or fabrics incorporated within soil mass to impart resistance to tensile, shear and compressive forces.

2.3 Shallow Foundation

2.3.1 Back Fill – Materials used or reused to fill an excavation.

2.3.2 Bearing Capacity, Safe – The maximum intensity of loading that the soil will safely carry with a factor of safety against shear failure of soil irrespective of any settlement that may occur.

2.3.3 Bearing Capacity, Ultimate – The intensity of loading at the base of a foundation which would cause shear failure of the supporting soil.

2.3.4 Bearing Pressure, Allowable (Gross or Net) – The intensity of loading which the foundation will carry without undergoing settlement in excess of the permissible value for the structure under consideration but not exceeding safe bearing capacity.

The net allowable bearing pressure is the gross allowable bearing pressure minus the surcharge intensity.

NOTE – The concept of ‘gross’ and ‘net’ used in defining the allowable bearing pressure could also be extended to safe bearing capacity, safe bearing pressure and ultimate bearing capacity.

2.3.5 Factor of Safety (with Respect to Bearing Capacity) – A factor by which the ultimate bearing capacity (net) shall be reduced to arrive at the value of safe bearing capacity (net).

2.3.6 Footing – A structure constructed in brick work, masonry or concrete under the base of a wall or column for the purpose of distributing the load over a larger area.

2.3.7 Foundation, Raft – A substructure supporting an arrangement of columns or walls in a row or rows transmitting the loads to the soil by means of a continuous slab, with or without depressions or openings.

2.3.8 *Made-up Ground* – Refuse, excavated soil or rock deposited for the purpose of filling a depression or raising a site above the natural surface level of the ground.

2.3.9 *Offset* – The projection of the lower step from the vertical face of the upper step.

2.3.10 *Permanent Load* – Loads which remain on the structure for a period, or a number of periods, long enough to cause time dependent deformation/settlement of the soil.

2.3.11 *Shallow Foundation* – A foundation whose width is generally equal to or greater than its depth. The shearing resistance of the soil in the sides of the foundation is generally neglected.

2.3.12 *Spread (or Isolated or Pad) Foundation/Footing* – A foundation which transmits the load to the ground through one or more footings. A spread footing (or isolated or pad) is provided to support an individual column. A spread footing is circular, square or rectangular slab of uniform thickness. Sometimes, it is stepped or haunched to spread the load over a large area.

2.3.13 *Strip Foundation/Footing* – A type of shallow foundation which provides continuous and longitudinal bearing for loads carried by vertical elements, such as continuous wall foundation beams or the like. A strip footing is also provided for a row of columns which are so closely spaced that their spread footings overlap or nearly touch each other. A strip footing is also known as continuous footing.

2.4 Pile Foundation

2.4.1 *Allowable Load* – The load which may be applied to a pile after taking into account its ultimate load capacity, group effect, the allowable settlement, negative skin friction and other relevant loading conditions including reversal of loads, if any.

2.4.2 *Anchor Pile* – An anchor pile means a pile meant for resisting pull or uplift forces.

2.4.3 *Batter Pile (Raker Pile)* – The pile which is installed at an angle to the vertical using temporary casing or permanent liner.

2.4.4 *Bored Cast in-situ Pile* – Piles formed by boring a hole in the ground by percussive or rotary method with the use of temporary/permanent casing or drilling mud and subsequently filling the hole with reinforced concrete.

2.4.5 *Bored Compaction Pile* – A bored cast *in-situ* pile with or without bulb(s) in which the compaction of the surrounding ground and freshly filled concrete in pile bore is simultaneously achieved by a suitable method. If the pile is with bulb(s), it is known as under-reamed bored compaction pile.

2.4.6 *Bored Pile* – A pile formed with or without casing by excavating or boring a hole in the ground and subsequently filling it with plain or reinforced concrete.

2.4.7 *Cut-off Level*— It is the level where a pile is cut-off to support the pile caps or beams or any other structural components at that level.

2.4.8 Driven Cast in-situ Pile — The pile formed within the ground by driving a casing of uniform diameter, or a device to provide enlarged base and subsequently filling the hole with reinforced concrete. For displacing the subsoil the casing is driven with a plug or a shoe at the bottom. When the casing is left permanently in the ground, it is termed as cased pile and when the casing is taken out, it is termed as uncased pile. The steel casing tube is tamped during its extraction to ensure proper compaction of concrete.

2.4.9 Efficiency of a Pile Group – It is the ratio of the actual supporting value of a group of piles to the supporting value arrived at by multiplying the pile resistance of an isolated pile by their number in the group.

2.4.10 Initial Load Test — A test pile is tested to determine the load carrying capacity of the pile by loading either to its ultimate load or to twice the estimated safe load.

2.4.11 Negative Skin Friction–Negative skin friction is the force developed through the friction between the pile and the soil in such a direction as to increase the loading on the pile, generally due to drag of a consolidating soft layer around the pile resting on a stiffer bearing stratum such that the surrounding soil settles more than the pile.

2.4.12 Pile Spacing — The spacing of piles means the centre to centre distance between adjacent piles.

2.4.13 Precast Concrete Piles in Prebored Holes — A pile constructed in reinforced concrete in a casting yard and subsequently lowered into prebored holes and the annular space around the pile grouted.

2.4.14 Precast Driven Pile –The pile constructed in concrete in a casting yard and subsequently driven into the ground when it has attained sufficient strength.

2.4.15 Routine Test — Test carried out on a working pile with a view to check whether pile is capable of taking the working load assigned to it without exceeding permissible settlement.

2.4.16 Safe Load — It is the load derived by applying a factor of safety on the ultimate load capacity of the pile/pile group or as determined from load test.

2.4.17 Ultimate Load Capacity – The maximum load which a pile can carry before failure, that is, when the founding strata fails by shear as evidenced from the load settlement curve or the pile fails as a structural member.

2.4.18 Under-Reamed Pile – A bored cast *in-situ* or bored compaction concrete pile with enlarged bulb(s) made by either cutting or scooping out the soil or by any other suitable process.

An under-reamed pile having more than one bulb is termed as multi under-reamed piles. The piles having two bulbs may be called double under-reamed piles.

2.4.19 Working Load – The load assigned to a pile as per design.

2.4.20 Working Pile – A pile forming part of the foundation system of a given structure.

3 SITE INVESTIGATION

3.1 General

Site investigation is essential in determining the physical, chemical and engineering properties of subsoil to arrive at the required foundation system. However, in areas which have already been developed, information may be obtained regarding the existing local knowledge, records of trial pits, boreholes, etc, in the vicinity, and the behaviour of the existing structures, particularly those of a similar nature to those proposed. This information may be made use of for design of foundation of lightly loaded structures of not more than two storeys and also for deciding the scope of further investigation for other structures.

3.1.1 If the existing information is not sufficient or is inconclusive, the proposed site should be explored in detail as per good practice [6-2(1)], so as to obtain a knowledge of the type, uniformity, consistency, thickness, sequence and dip of the strata, hydrology of the area and also the engineering properties. In the case of lightly loaded structures of not more than two storeys the tests required to obtain the above information are optional, mainly depending on site conditions.

3.2 Stages of Subsurface Investigation

3.2.1 The stages of subsurface investigation are:

- a) site reconnaissance;
- b) preliminary investigation;
- c) detailed investigation;
- d) construction stage investigation; and
- e) post-construction stage investigation.

3.2.2 Site Reconnaissance

3.2.2.1 Site reconnaissance would help in deciding future programme of field investigations, that is, to assess the need for preliminary and/or detailed investigations.

This would also help in determining scope of work, methods of exploration to be adopted, *in-situ* tests to be carried out and administrative arrangements required for the investigation. Where detailed information on the geotechnical conditions is not available, an inspection of site and study of topographical features are helpful in getting information about soil, rock and ground-water conditions. Site reconnaissance includes a study of local topography, excavations, ravines, quarries, escarpments; evidence of erosion or landslides, behaviour of existing structures at or near the site; water level in streams, water courses and wells; flood marks; nature of vegetation; drainage pattern, location of seeps, springs and swamps, evidence of expansive soils. Information on some of these may be obtained from topographical maps, geological maps, pedological and soil survey maps, vicinity maps, metrological data and digitized

images.

3.2.2.2 Data regarding removal of overburden by excavation, erosion or landslides should be obtained. This gives an idea of the amount of pre-consolidation the soil strata has undergone. Similarly, data regarding recent fills is also important to study the consolidation characteristics of the fill as well as the original strata.

3.2.2.3 The type of flora affords at times some indication of the nature of the soil. The extent of swamp and superficial deposits and peats will usually be obvious. In general, such indications, while worth noting, require to be confirmed by actual exploration.

3.2.2.4 *Ground-water conditions*

The ground-water level fluctuates and will depend upon the permeability of the strata and the head causing the water to flow. The water level in streams and water courses, if any, in the neighbourhood, should be noted, but it may be misleading to take this as an indication of the depth of the water table in the ground. Wells at the site or in the vicinity give useful indications of the ground-water conditions. Flood marks of rivers may indicate former highest water levels. Tidal fluctuations may be of importance. There is also a possibility of there being several water tables at different levels, separated by impermeable strata, and some of this water may be subject to artesian head. It is also important to collect water samples to check its suitability for construction purpose and any treatment of foundation required for corrosion protection.

3.2.2.5 *Enquiries regarding earlier use of the site*

In certain cases, the earlier uses of the site may have a very important bearing on proposed new works. This is particularly so in areas, where there have been underground workings, such as worked-out ballast pits, quarries, old brick fields, coal mines and mineral workings. Enquiries should be made regarding the location of shafts and workings, particularly shallow ones, where there may be danger of collapse, if heavy new structures are superimposed.

3.2.2.5.1 The possibility of damage to sewers, conduits and drainage systems by subsidence should also be investigated.

3.2.3 *Preliminary Investigation*

The purpose of preliminary investigation is to assess the feasibility of a project. The preliminary investigation includes determination of approximate depth, thickness, extent and composition of sub-strata, ground water table and also to obtain approximate information regarding strength and compressibility of the various strata. The preliminary investigation comprises boreholes with standard penetration test (SPT), collection of disturbed samples (DS), undisturbed samples (UDS), dynamic cone penetration test (DCPT), trial pits and laboratory testing. Geophysical investigation may also be carried out during the preliminary investigation to establish the sequence of layers, their approximate properties, depth of bedrock, etc.

3.2.4 *Detailed Investigation*

Planning of detailed investigation is generally based on the information obtained in the preliminary investigation. The objective is to find the sequence of various layers, thickness of the layers, ground water table and detailed engineering properties of each layer. Detailed investigation involves *in-situ* (field) testing and laboratory testing. The *in-situ* tests are described in 3.4. The type and number of tests shall depend upon the nature of the project, geology of the area and site conditions.

3.2.5 Construction Stage Investigation

During construction, there may be a requirement of additional investigation to overcome the difficulties/modifying the foundation system due to change in subsoil/ground water conditions. The type of test required shall be selected from those specified under detailed investigation.

3.2.6 Post-construction Stage Investigation

At times, in order to study the behaviour/strengthening of substructure/foundation, investigation may be required.

3.3 Subsurface Exploration

This clause includes the following:

- a) Geophysical investigation;
- b) Trial pits;
- c) Subsurface soundings;
- d) Boring in soil;
- e) Core drilling in rock; and
- f) Location and depth of investigation.

3.3.1 Geophysical Investigation

The geophysical investigation includes measurement of physical properties of the ground based on which the type of strata and depth of strata can be approximately evaluated. These tests provide a quick means of getting useful information about the stratification and underground utilities. This will enable to plan the depth/extent of the *in-situ* tests and type of test to be carried out *in-situ* and in the laboratory. The method provides only approximate parameters about the strata which need to be confirmed by conducting detailed investigation. These methods may be employed to get preliminary information on stratigraphy or complement a rationalized boring programme by correlation of stratigraphy between widely spaced boreholes. Commonly adopted geophysical tests are given in Table 1.

Table 1 Geophysical Tests
(Clause 3.3.1)

SI No.	Type of Test	Property Measured
(1)	(2)	(3)

i)	Electrical resistivity test (ERT)	Electrical resistivity
ii)	Seismic refraction test (SRT)	Primary wave velocity
iii)	Cross hole seismic test (CHST) and down hole seismic test (DHST)	Shear wave velocity
iv)	Spectral analysis of surface wave (SASW) and multi-channel analysis of surface wave (MASW)	Primary/Shear wave velocity
v)	Ground penetrating radar survey (GPR Survey)	Electromagnetic intensity (Resistivity)
vi)	Thermal resistivity test	Thermal conductivity

3.3.2 Trial Pit

This method consists of excavating a pit at the site and thereby exposing the strata. This enables visual inspection of the strata, collection of disturbed/undisturbed samples and carrying out *in-situ* tests. Generally, trial pits are excavated up to 4 m depth below the ground level.

Minimum dimension of the pit shall be such that there is an adequate working space for excavation and carrying out sampling/testing. Generally, the pits have planned dimensions varying from 1 m × 1 m up to 3 m × 3 m depending on the depth required.

After the pit is excavated, the details of the strata shall be recorded with the description of each layer with thickness and ground water table, if any. After collecting the samples/*in-situ* testing, the pit shall be backfilled with the same excavated material. Arrangement shall be made for dewatering below ground water table. Precautions shall be taken to prevent surface water draining into the trial pit.

3.3.3 Subsurface Soundings

Subsurface soundings provide quick means to get continuous resistance against penetration indicating compactness of the strata. The following sounding tests are generally carried out:

- a) Dynamic cone penetration test;
- b) Static cone penetration test; and
- c) Static cone penetration test using piezocone with pore water pressure measurement.

The limitation of soundings is that samples cannot be collected. In addition, strata having stones, gravels, boulders, etc and stiff formations cannot be penetrated by sounding device.

3.3.4 Boring in Soil

Various techniques are available for boring in soil depending on the substrata and depth of investigation. Commonly used boring methods are given below and described in 3.3.4.1 to 3.3.4.4.

- a) Auger boring,
- b) Shell and auger boring,
- c) Rotary boring, and
- d) Percussion drilling.

In general, the diameter of the borehole is about 100 mm to 150 mm. In boreholes, in-situ testing like standard penetration test along with collection of disturbed and undisturbed samples at regular depth intervals and at change of strata is carried out. Other *in-situ* tests may also be carried out in the boreholes as per requirements.

In order to prevent caving in of soil during boring, stabilizing fluid like bentonite slurry/temporary steel casing or combination of both should be used.

The bottom of the borehole shall be cleaned prior to sampling/testing at different levels.

If the standard penetration test (SPT) 'N' value greater than 100 with characteristics of rock is met with, the borehole shall be advanced further by chiselling. Chiselling shall be continued for a maximum depth of 20 cm or for a period of 2 hours, whichever is earlier. During chiselling rock fragments shall be collected. Identification of rock strata shall be on the basis of visual examination of SPT sample and rock fragments. After it is established that rock is met with, borehole shall be advanced further by drilling in rock and core shall be collected. When the borehole is terminated in soil strata, an additional standard penetration test shall be carried out at the termination depth.

3.3.4.1 Auger boring

An auger is either power or hand operated with periodic removal of cuttings. The bore profile is prepared based on physical observation of the cut material removed from auger.

The process is slow in case of manual operation. Hand operated auger is generally used for boring up to a depth of 6 m. Casing is not used in this method. The method is convenient considering ease of mobilization. The auger is used in soil where borehole stands unsupported. Auger is penetrated into the ground for a depth of about 300 mm to 600 mm, and the auger is withdrawn for removing the cuttings. The auger is then reintroduced to extend the borehole.

3.3.4.2 Shell and auger boring

Shell and auger boring is adopted for deep boreholes. The equipment consists of auger and a shell (bailer) for boring, connected with steel wire ropes/drilling rods which are lowered/raised with the help of tripod and mechanical winch. The casing is lowered in the borehole by rotating/pushing to the required depth.

The auger is generally used up to the ground water table followed by shell.

The shell is raised/lowered repeatedly to cut the soil at the bottom and the cut material collected in the shell is removed. In stiff cohesive soil, it may be necessary to soak

the borehole while boring above the ground water table. Where ground water is encountered, the water level in the borehole shall always be maintained at or above the water table.

The method is efficient to drill in hard strata but may disturb the soil at the bottom of the borehole. The method should be adopted with caution to minimize disturbances in the soil, prior to sampling/testing.

3.3.4.3 *Percussion boring*

This method should only be used for drilling boreholes in bouldary and gravelly strata where other boring methods become ineffective.

In this method, the formation is pulverized/broken by repeated blows using a bit or a chisel. Water should be added at the time of boring, and the cuttings are bailed out at intervals. The bit/chisel is suspended by a cable or rods from a hoist.

As this method involves repeated dropping of a heavy chisel and can disturb the strata considerably, it is preferable that at least 0.5 m above the level of sampling/testing, the use of percussion method shall be discontinued and the borehole advanced/cleaned with shell or any other suitable method till the sampling depth has reached.

3.3.4.4 *Rotary boring*

In this method, boring is advanced by the cutting action of a rotating bit which should be kept in firm contact with the bottom of the hole. The bit is connected at the end of hollow, jointed drill rods which are rotated by a suitable chuck. Water/stabilizing fluid like bentonite slurry is pumped continuously down the hollow drill rods and the fluid returns to the surface through the annular space between the rods and the side of the hole, and the casing may not be generally required. This method can be used in all type of strata.

3.3.5 *Core Drilling in Rock*

Core drilling in rock shall be carried out with rotary hydraulic rig using diamond-tipped bit (see Note) as per good practice [6-2(54)]. The core drilling equipment shall conform to good practice [6-2(55)]. Drilling shall be carried out with NX/HX size diamond-tipped drill bits or impregnated diamond bit depending on the type of rock formation. Double tube core barrel with core lifter shall be used. The diamond bit is attached to double tube core barrel with reaming shell. The bit cuts an annular groove into the formation and the inner core formed by the groove enters into the inner barrel as a core sample. The circulating fluid is injected through the annular gap between the outer barrel and inner barrel and hence the fluid does not come in contact with the core received in the barrel. This prevents damage to the core by washing out of the loose particles in the joints (if any) and improves both core recovery and rock quality designation (RQD). After advancing the core barrel, the barrel is withdrawn, the rock cores are removed by detaching the core cutter, reassembled and introduced back in the borehole for further coring. Indexing and storage of drill cores shall be in accordance with good practice [6-2(47)].

NOTE – Tungsten carbide bit may be used for rocks like, shale, siltstone and claystone.

The drilling rig shall have necessary facilities to regulate the spindle speed, bit pressure and water pressure during core drilling to get good core recovery.

The rotational speed of the bit (spindle speed), the amount of downward pressure applied on the bit (bit pressure) and water pressure shall be suitably adjusted and properly monitored so that the core is collected with least disturbance and avoid shearing of the core from its base.

Drilling run should be 0.75 m in length. This can be increased up to 1.5 m run in case core recovery is more than 50 percent in two successive 0.75 m drill runs. If the core recovery is nil, then SPT shall be performed before commencing the next drill run.

If at any time a blocking of the bit or grinding of the core is indicated, the core barrel shall be immediately withdrawn from the borehole regardless of the length of drill run completed.

3.3.6 Location and Depth of Investigation

3.3.6.1 The location and depth of investigation points shall depend upon the type of structure/building considering variation in substrata based on the preliminary subsurface investigation or available geotechnical data in an already developed site. The investigation points should be arranged in such a pattern that the stratification can be assessed across the site. The guidelines as specified in **3.3.6.2** and **3.3.6.3** may be adopted for deciding the location and depth of boreholes/trial pits and other *in-situ* tests.

3.3.6.2 Disposition of Boreholes/Trial Pits

The guidelines for disposition of boreholes/trial pits are given in Table 2. In case significant variation in stratification is observed, additional boreholes/tests, as required may be carried out.

**Table 2 Disposition of Borehole/Trial Pit
(Clause 3.3.6.2)**

Sl No. (1)	Type of Structure/Buildings (2)	Location of Borehole/Trial Pit (3)
i)	For lightly loaded residential building (such as single/double storeyed building)	At least one borehole/trial pit in the centre of the building (see Note)
ii)	For building(s) in a site covering an area of about 0.4 hectares	At least one borehole in each corner and one in the centre

- | | | |
|------|---|---|
| iii) | <ul style="list-style-type: none"> a) For structure/building having any of the plan dimensions exceeding 50 m b) For multiple buildings in a site covering an area of more than 0.4 hectares c) For multistoried buildings and structure of height less than and equal to 50 m | Boreholes in a grid pattern with points at not more than 50 m distance, subject to a minimum of two boreholes. Boreholes should cover built-up areas. |
| iv) | For multistoried buildings and structure of height more than 50 m | Minimum three boreholes at each building/structure |
| v) | Linear structures (roads, railways, embankments, pipelines, boundary walls, tunnels, retaining walls, transmission lines, etc) | Boreholes at a spacing of 50 m to 500 m. In highly erratic substrata, spacing may be suitably reduced. In uniform substrata, the spacing may be suitably increased. |
| vi) | Solar power plant | One borehole for every 2 to 5 hectares subject to a minimum of 5 boreholes per site |

NOTE — Boreholes are preferred over trial pits.

3.3.6.3 *Depth of Investigation*

3.3.6.3.1 The depth of investigation shall be adequate enough to provide necessary data for estimating safe bearing capacity and settlement. In general, the investigation shall be carried out to a minimum depth to which the increase in stress level due to the foundation load is lesser than 10 percent of the in-situ stress level.

The depth of investigation also depends on the risk induced by the presence of weaker formations below the influence zone to be stressed due to the proposed construction.

3.3.6.3.2 The following guidelines may be followed for adopting the depth of investigation:

- a) *Shallow foundation (other than raft foundations) in soil* — The depth of investigation shall be up to 2 to 3 times the estimated width of the largest foundation below the expected founding level.
- b) *Raft foundation (minimum foundation width equal to 6 m for the purpose of investigation) in soil* — Raft foundation is a substructure supporting an arrangement of columns or walls in a row or rows and transmitting the loads to the soil by means of a continuous slab with or without depressions or openings. In case of raft foundation, the depth of investigation shall be up to 1.0 to 2.0

times the width of the raft foundation below the expected founding level.

- c) *Pile foundation in soil* — The depth of investigation shall be sufficiently below the expected founding level of piles but this should not be less than 5 m or 5 times the diameter of piles, whichever is more beyond the estimated pile termination level.
- d) *Embankments* — The depth of investigation shall be 1.0 to 2.0 times the height of the embankment.
- e) *Well foundation in soil* — The depth of investigation in the case of well foundation shall be 1.5 to 2.0 times the width/diameter of the well from the estimated termination level of the well.
- f) *Penetration into rock* — In case rock formation is encountered prior to the termination depth of boreholes as stipulated in (a) to (e) above, the boreholes may be extended by minimum 5 m in rock strata depending upon rock characteristics and project requirements.

NOTE — The depth of investigation may be suitably arrived as per the specific requirements for any other foundation/substructure.

3.3.6.4 Other *in-situ* tests

The location and depth of investigation for other *in-situ* tests shall be as per the requirements.

3.4 In-Situ Testing

In-situ tests provide information about the strength and deformability characteristics of the strata. Following are the *in-situ* tests which may be conducted depending on the nature of the strata and project requirements:

- a) Standard penetration test (SPT);
- b) Vane shear test (VST);
- c) Pressuremeter test (PMT);
- d) Plate load test (PLT);
- e) Cyclic plate load test (CPLT);
- f) Block vibration test (BVT);
- g) Dynamic cone penetration test (DCPT);
- h) Static cone penetration test (SCPT);
- j) Piezocone with pore pressure measurement (CPTu);
- k) Flat dilatometer test (DMT);
- m) Electrical resistivity test (ERT);
- n) Seismic refraction test (SRT);
- p) Down hole, up-hole and cross hole seismic test (CHST);
- q) Spectral analysis of surface wave (SASW) and multi-channel analysis of surface wave (MASW) test;
- r) Ground penetrating radar (GPR) survey;
- s) Thermal resistivity test;

- t) *In-situ* permeability test;
- u) Modulus of subgrade reaction;
- v) Field california bearing ratio test (CBR); and
- w) Optical and acoustic tele-viewer methods.

3.4.1 Standard Penetration Test

This test shall be conducted in all types of soil deposits in a borehole to assess soil characteristics. The test shall be conducted in accordance with good practice [6-2(13)]. However, it is preferred to use hammer with auto-trip mechanism and automatic SPT hammer in place of drop hammer to ensure consistent transfer of energy and minimize human errors as mentioned in good practice [6-2(13)]. The depth interval between the bottom of the standard penetration test and next undisturbed sampling/any other test shall not be less than 500 mm.

3.4.2 Vane Shear Test

Field vane shear test shall be performed inside the borehole to determine the shear strength of cohesive soils, especially in soft clays which are highly susceptible to sampling disturbance, in accordance with good practice [6-2(48)].

3.4.3 Pressuremeter Test

The test is carried out to determine the *in-situ* stress-strain characteristics of the substrata. The test involves positioning of a radially expandable probe at the desired depth in a borehole and applying increments of pressure to inflate the probe thus applying increasing radial stresses on the substrata in the walls of the borehole and measuring the volumetric deformations at different pressure increments. Applied pressure *versus* volumetric deformation is plotted and analyzed. Further details regarding the test are given in good practice [6-2(2)].

3.4.4 Plate Load Test

Plate load test shall be conducted to determine the load/settlement characteristics of the substrata. The specifications for the equipment and accessories required for conducting the test, the test procedure, field observations and reporting of results shall conform to good practice [6-2(12)].

3.4.4.1 Test for determination of modulus of subgrade reaction

Modulus of subgrade reaction shall be determined in accordance with good practice [6-2(35)].

3.4.5 Cyclic Plate Load Test

This test shall be carried out to determine the dynamic soil properties required for the analysis of foundation subjected to dynamic loads. This test shall be conducted on similar lines as the ordinary plate load test. In addition, unloading shall also be done before each stage of loading. Test set up, load increment, maximum load intensity,

recording of field data, etc shall be as per good practice [6-2(43)].

After each stage of loading, the load shall be removed in a minimum of two stages. After each stage of reduction of load, dial gauge readings and settlements shall be taken for at least one hour until the readings stabilize. There after the next loading stage shall commence. Analysis of test data shall be reported as in accordance with good practice [6-2(51)].

3.4.6 Block Vibration Test

This test shall be carried out in accordance with good practice [6-2(51)] to determine the dynamic soil properties required for the analysis of foundation subjected to dynamic loads.

A test pit of suitable size depending upon size of block should be made. The size of the pit may be 3 m × 6 m at the bottom and a depth preferably equal to proposed depth of foundation. The test should be conducted above the ground water table. In case of rock, the test may be performed on the surface of rock bed itself. The bottom of the pit should be leveled. Side slopes of the pit should be stable. Analysis of test data shall be reported as per good practice [6-2(51)].

3.4.7 Dynamic Cone Penetration Test (DCPT)

Dynamic cone penetration test is a method of sub surface sounding, wherein a continuous record of soil resistance is obtained from of the ground to the depth below by driving a cone. Dynamic cone penetration test shall be conducted either as per good practice [6-2(49)] or as per [6-2(50)], as required. The test shall be conducted up to the required depth; however, in order to avoid damage to the equipment, driving may be stopped when the number of blows exceeds 35 for 100 mm penetration when the cone is driven dry [as per good practice [6-2(49)]and 20 for 100 mm penetration when the cone is penetrated by circulating slurry [as per good practice [6-2(50)]]. The specification for the equipment and accessories required for performing this test, procedure, field observations and reporting of results shall be in accordance with good practice [6-2(49)] or as per [6-2(50)], as applicable. For gravelly deposits (gravel size 100 mm to 120 mm), DCPT may be conducted as per good practice [6-2(3)].

3.4.8 Static Cone Penetration Test (SCPT)

Static cone penetration test is conducted to record the continuous *in-situ* penetration resistance of soils below the ground level. The specification for the equipment and accessories required for performing the test procedure, field observations and reporting of results shall be in accordance with good practice [6-2(60)].

3.4.9 Static Cone Penetration Test using Piezocone with Pore Water Pressure Measurement (CPTu)

The test is used to record the continuous *in-situ* penetration resistance, frictional resistance along with pore water pressure during penetration at the level of the base of the cone. For CPTu, all measurements shall be made by sensors contained in

penetrometer.

The cone shall be pushed into the soil at a constant rate of penetration.

Test performed using this test method provide a detailed record of cone penetration which is useful for evaluation of site stratigraphy, homogeneity, voids or cavities and other discontinuities. The use of friction sleeve and porewater pressure element can provide an estimate of preliminary soil classification and correlations with engineering properties of soils.

NOTE — The test procedure, field observation and reporting of result may be referred from international standards.

3.4.10 Flat Dilatometer Test (DMT)

The test is used to determine *in-situ* strength and deformation properties of soils. The test consists of inserting a blade-shaped steel probe vertically into the soil with a thin expandable circular steel membrane mounted flush on one face and determining, at selected depths or in a semi-continuous manner, the contact pressure exerted by the soil against the membrane when the membrane is flush with the blade and subsequently the pressure exerted when the central displacement of the membrane reaches 1.10 mm. Further details regarding the test are given in good practice [6-2(2)].

NOTE — The test procedure, field observation and reporting of results may be referred from international standards.

3.4.11 Electrical Resistivity Test

This test is carried out to assess the substrata profiles (that is, soil and rock profiles) over large areas at a relatively lower cost and can thus supplement the information obtained from detailed site investigations.

This test involves placing four electrodes in line along the ground surface and passing an alternating current through the outer two current electrodes and measuring the resulting potential drop between the two inner potential electrodes. From the resistance, calculated as the ratio of the potential drop to the current applied, the apparent resistivity of the substrata (that is, soil or rock strata) is determined by multiplying with applicable factors which are dependent on the geometry and spacings of the four electrodes. The electrode spacings are varied and the apparent resistivity of the substrata is determined for various electrode spacings.

Detailed analysis/interpretation of the plot of apparent resistivity *versus* electrode spacings is carried out to assess the number and type of substrata and their thicknesses.

The equipment and accessories required for carrying out the test, the test procedure, recording of observations, presentation and analysis of results shall be in accordance with good practice [6-2(59)].

Electrical resistivity tests are also carried out to determine the earth resistivity of the substrata for use in the design of earthing systems. The equipment and accessories required for carrying out the test for earth resistivity determination, the test procedure, recording of observations, presentation and analysis of results shall be in accordance with good practice [6-2(46)].

3.4.12 Seismic Refraction Test

This test is carried out to assess the substrata profiles (that is, soil and rock profiles) over large areas to supplement the information obtained from detailed site investigations.

This test involves the generation of seismic waves in the ground using a suitable seismic source and recording these seismic waves through geophones (that is, instruments which convert ground vibrations to electrical signals) located in a line along the ground surface at regular distance intervals. From the recorded waveforms, the arrival times of the seismic waves at different geophone locations are determined and a plot is then drawn of the geophone distances *versus* the corresponding arrival times. The refraction/reflection of the seismic waves at the interfaces of the various substrata leads to variations in the arrival times of the seismic waves at larger distances from the seismic source. The slopes of the lines connecting the data points on such a plot give the seismic wave velocities of the various substrata. The thicknesses of the various substrata so identified are determined by detailed analysis/interpretation of the plot which are based on the principles of refraction/reflection of the seismic waves.

The equipment and accessories required for carrying out the test, the test procedure, recording of observations, presentation and analysis of results shall be in accordance with good practice [6-2(58)].

3.4.13 Downhole, Uphole and Crosshole Seismic Tests

These tests are carried out to determine the seismic wave velocity profiles with depth and therefrom the profiles of dynamic modulus of rigidity (that is, shear modulus) and dynamic Young's modulus (that is, elastic modulus) with depth.

In the downhole seismic test, seismic waves are generated in the ground by a suitable seismic source at the ground surface near a borehole and the seismic waves so generated are recorded using geophones located at different depths within the borehole. On the other hand, in the uphole seismic test, seismic waves are generated at different depths within a borehole by a suitable seismic source and the seismic waves so generated are recorded using a geophone located at the ground surface near the borehole.

In the crosshole seismic test, seismic waves are generated at different depths within a borehole termed the source borehole, using a suitable seismic source and the seismic waves so generated are recorded using geophones installed at the corresponding depths in one or two other boreholes termed the receiver boreholes,

located in a straight line with the source borehole at predefined borehole spacings.

In these tests, from the recorded waveforms, the seismic wave velocities are determined and therefrom the dynamic shear and elastic moduli are determined.

The equipment and accessories required for carrying out the downhole or uphole seismic test, the test procedure, recording of observations, presentation and analysis of results shall be in accordance with good practice [6-2(56)].

The equipment and accessories required for carrying out the crosshole seismic test, the test procedure, recording of observations, presentation and analysis of results shall be in accordance with good practice [6-2(57)].

3.4.14 Spectral Analysis of Surface Wave (SASW) and Multi-Channel Analysis of Surface Wave (MASW) Test

The tests are used for evaluation of substrata properties based on the generation of wave propagation phenomena like reflection, refraction and dispersion. Compression and surface wave velocities are measured. Further details regarding the test are given in Annex E.

NOTE — The test procedure, field observation and reporting of results may be referred from international standards.

P-wave and S-wave velocities as obtained from above tests can also be used to get seismic tomography.

3.4.15 Ground Penetrating Radar Survey

Ground penetrating radar (GPR) is a tool to assess the presence of soil/rock strata and to identify presence of buried objects such as pipeline, conduit, concrete, etc. This works on the principle of reflection of the electromagnetic waves at the interface of two different materials. The depth of penetration below the ground surface can be increased by reducing the frequency.

3.4.16 Thermal Resistivity Test

Thermal resistivity test is conducted to determine the thermal conductivity of soil and soft rock in field using thermal needle probe procedure. Further details regarding the test are given in good practice [6-2(2)].

NOTE — The test procedure, field observation and reporting of results may be referred from international standards.

3.4.17 In-situ Permeability Test (in Soil)

In-situ permeability test is conducted to determine the water percolation capacity of the sub strata. This test is performed inside a borehole/trial pit at specified depths. The type of test shall be either pump-in or pump-out test depending on the subsoil and

ground water conditions. Pump-in test is suitable for sub-strata with or without ground water; wherein pump-out test is conducted for sub-strata with ground water.

3.4.17.1 Pump-in test

Pump-in test is conducted in a borehole/trial pit by allowing water to percolate into the soil.

- a) *Constant head method (in borehole)* — This test is preferred for soils with high permeability. The specification for the equipment and the procedure of testing shall be in accordance with good practice [6-2(52)].
- b) *Falling head method (in borehole)* — This method is preferred for soils with low permeability. The specification for the equipment and the procedure of testing shall be in accordance with good practice [6-2(52)].
- c) *Percolation test (in trial pit)* — Percolation test in trial pit shall be conducted as per good practice [6-2(44)].

3.4.17.2 Pump-out test

Pump-out test is conducted in a borehole by pumping out of water from sub-soil. The specification for the equipment and procedure for testing shall be in accordance with good practice [6-2(52)].

3.4.18 In-situ Permeability Test (in Rock)

In-situ permeability test is conducted inside the drilled hole by pumping in water under pressure to determine the percolation capacity of the rock stratum. The test may be conducted by single packer method or by double packer method. The specification for the equipment and the procedure of testing shall be in accordance with good practice [6-2(53)].

3.4.18.1 Single packer method

This method shall be adopted when the bottom elevation of the test section is the same as the bottom of the drill hole and where it is considered necessary to know the permeability value during drilling itself. This test shall be useful where the full length of the hole cannot stand encased or ungrouted. The packer shall be fixed at the top level of the test section, such that only the test section lies below the packer. Water shall then be pumped through a pipe into the test section under a required pressure and maintaining it till a constant quantity of water intake is observed. The amount of water percolating through the hole shall be recorded at every 5 min intervals. The test shall be repeated by increasing the pressure at regular intervals up to a pressure limit as specified in accordance to good practice [6-2(53)]. The details and observations during the test shall be suitably recorded in a proforma recommended in Annex B of good practice [6-2(53)].

3.4.18.2 *Double packer method*

This method shall be used when the permeability of an isolated section inside a drill hole is to be determined. Packers shall be fixed both at the top and bottom of the test section such that their spacing is exactly equal to the length of the test section.

3.4.19 *Field California Bearing Ratio (CBR) Test*

This test is carried out to determine the *in-situ* CBR value of the compacted subgrade on which the road pavement will be constructed so as to confirm that the *in-situ* CBR value is equal to or greater than the design CBR value for the road pavement. The test involves applying static loading to cause penetration of a cylindrical plunger of standard diameter into the compacted subgrade material and recording the applied static load to cause the required increments of penetration till the required maximum penetration of the plunger is achieved. Based on the plot of the recorded applied load and corresponding penetrations of the plunger, the CBR value is determined as the ratio of the applied test load to the predefined standard load for different standard penetrations of the plunger. The equipment and accessories required for carrying out the test, the test procedure, recording of observations and presentation of results shall be in accordance with good practice [6-2(45)].

3.4.20 *Optical and Acoustic Tele-Viewer Methods*

The optical and acoustic tele-viewers provide a continuous, 360° view of the borehole wall that allows rock mass discontinuities to be identified and characterized. Both devices can be oriented within the borehole so that the absolute orientation of features like bedding planes can be measured. An optical tele-viewer (OTV) uses a camera to record high-resolution images of the borehole wall and includes lights for illumination. An OTV is best suited for dry boreholes or boreholes filled with clear water.

Any conditions that produce cloudy or murky water or coatings on the borehole wall, limit the usefulness of the OTV. If good images are obtained, it is possible to identify locations and orientations of joints, bedding planes, foliations, faults, shears, and other naturally occurring rock mass discontinuities.

The acoustic tele-viewer (ATV) uses ultrasound pulses from a rotating sensor in an open, fluid-filled borehole to record the amplitude and travel time of the signals reflected at the (high-impedance) interface between fluids and the borehole wall. Because an ATV uses ultrasound rather than visible light, the borehole fluid is not required to be clear. Rock mass discontinuities in the wall of the borehole will change the amplitude of the reflected acoustic wave compared to the surrounding material. The method does not work well in soil because of the lack of a high-impedance boundary between the fluid and soil. ATV surveys are used to provide information regarding locations and orientations of joints, bedding planes, faults, shears, and other naturally occurring rock mass discontinuities.

3.5 Sampling and Testing

3.5.1 In order to identify the type of soil/rock and to determine the physical, chemical and engineering properties of sub strata, samples of soil, rock and water, as applicable are collected during the investigation. The samples are of the following two types:

- a) *Disturbed sample* — The sample in which natural structure of the material is disturbed; and
- b) *Undisturbed sample* — The sample in which the natural structure of the material is not disturbed.

3.5.2 The type of sample, quantity of sample and number of samples to be collected depends on the purpose of investigation and the nature of the strata condition. The interval at which the samples are collected depends on the type of strata variation of the profiles within the strata. Generally, undisturbed samples (UDS) are collected at depth interval of 3.0 m or change of strata, whichever is lower. The depth between UDS and SPT are generally staggered at 1.5 m so that at every 1.5 m depth either UDS is collected or SPT is conducted. In case of variations of profiles within a stratum, the samples shall be collected at a frequency of at least every 1.5 m to 2 m depth interval in a borehole. Wherever undisturbed sampling is not possible, such as in cohesionless soil or some utility service is encountered during the investigation, the same may be replaced by standard penetration test. In cohesive soils, when N value is above 32, undisturbed samples may be replaced by standard penetration test.

3.5.3 The following are the methods that are usually employed for sampling:

<i>Nature of stratum</i>	<i>Type of sample</i>	<i>Method of sampling</i>
Soil	Disturbed	Shovel, pick axe, etc
		Auger and shell boring
		Split spoon sampler
	Undisturbed	Block sample
		Tube sampler
		Piston sampler
Core cutter sampler		
Rock	Disturbed	Blasting
		Chiseling
	Undisturbed	Coring

3.5.4 In cohesive soils, it is possible to collect undisturbed samples for examination and testing. In cohesionless soils below water table, undisturbed sampling is difficult with the samplers other than piston sampler.

3.5.5 Disturbed soil sample and undisturbed soil sample are to be obtained as per **3.5.5.1** and **3.5.5.2**, respectively.

3.5.5.1 *Disturbed soil sample*

Disturbed sample of soil is obtained during the course of excavation of trial pit, boring, and after conducting standard penetration test. This sample can be used for testing of physical and chemical properties. The disturbed sample of clay is also useful for determining shear strength of remoulded sample.

3.5.5.2 *Undisturbed soil sample*

Undisturbed sample is obtained from pits and boreholes in such a manner that moisture content and structure do not get altered. This may be attained by careful protection, packing and by the use of a correctly designed sampler. Various methods of undisturbed sampling are as given in good practice [6-2(2)].

3.5.6 *Protection, Handling and Labelling of Samples*

Care should be taken in protecting, handling and subsequent transport of samples and in their full labelling, so that samples can be received in a fit state for examination and testing, and can be correctly recognized as coming from a specified trial pit or boring.

3.5.7 *Examination and Testing of Samples*

3.5.7.1 The following tests shall be carried out in accordance with accepted standard [6-2(5)]:

a) Test on disturbed/undisturbed soil samples:

- 1) Visual and engineering classification;
- 2) Sieve analysis and hydrometer analysis;
- 3) Atterberg limits (liquid limit, plastic limit and shrinkage limit);
- 4) Specific gravity;
- 5) Free swell index;
- 6) Light/Heavy compaction test (standard/modified proctor compaction test);
- 7) California bearing ratio;
- 8) Relative density (for sand); and
- 9) Laboratory permeability test (constant head/falling head).

b) Test on undisturbed soil samples:

- 1) Bulk density and moisture content;
- 2) Unconfined compression test (on remoulded or undisturbed sample);
- 3) Swelling pressure (on undisturbed and remoulded sample);
- 4) Direct shear test (drained/undrained) (on remoulded or undisturbed

- sample);
- 5) Triaxial compression tests (on undisturbed or remoulded sample),
 - i) Unconsolidated undrained,
 - ii) Consolidated undrained test with/without the measurement of pore water pressure, and
 - iii) Consolidated drained;
 - 6) Consolidation test; and
 - 7) Vane shear test.
- c) Test on rock samples:
- 1) Visual classification;
 - 2) Water absorption;
 - 3) Porosity;
 - 4) Density;
 - 5) Specific gravity;
 - 6) Hardness;
 - 7) Slake durability;
 - 8) Uniaxial compression test (both saturated and unsaturated);
 - 9) Point load strength index;
 - 10) Deformability test (both saturated and unsaturated);
 - 11) Tensile strength (Brazilian); and
 - 12) Triaxial compression test.
- d) Chemical analysis on subsoil and ground water-Tests are conducted to determine the concentration of following chemicals:
- 1) pH value;
 - 2) Sulphates (SO₃ and/or SO₄);
 - 3) Chlorides;
 - 4) Carbonate;
 - 5) Nitrate;
 - 6) Organic matter; and
 - 7) Any other chemicals harmful to the foundation material.

In case of ground water, colour, odour, turbidity and specific conductivity should also be determined.

3.6 Soil Investigation Report

3.6.1 General

On completion of the *in-situ* and laboratory tests, subsurface investigation report shall be prepared which should include, geological information, procedure adopted for investigation, field observations, laboratory test data, analysis, interpretation, recommendation, etc.

3.6.2 Information to be Provided

The report shall include but not be limited to the following:

- a) Plan showing location and depth of *in-situ* tests;
- b) Geological information of the area;
- c) General topography of the site;
- d) Past usage and historical data of the site, if available;
- e) Borelog/trial pit log (see [6-2(2)] for format of borelog);
- f) *In-situ* test results;
- g) Plot of standard penetration test (N values both uncorrected and corrected) with depth for identified areas;
- h) Laboratory test results (see [6-2(2)] for format for laboratory test results);
- j) Summary of strata profile; and
- k) In case of pressuremeter tests, the following should be furnished:
 - 1) Calibration record including, description of membrane and sheath on probes, dimension of thick walled cylinder, length of flexible tubing, calibration curves/chart, temperature, etc.
 - 2) Drilling record including, borehole number, method of making borehole, log of soil type and condition, depth of water in borehole, weather and temperature.
 - 3) Test record – Type of test, date and time, depth of centre point of probe, volume readings at 30 s and 60 s elapsed time and corresponding pressure readings, notes on any deviation from standard test procedure.

3.6.2.1 Reporting of *in-situ* and laboratory test results should be in accordance with relevant Indian Standards.

3.6.3 Analysis and Interpretation of Results

The following shall be included in the report:

- a) Analysis of test results.
- b) Discussion and interpretation of results analyzed including basis of adopting design parameters for the substrata.
- c) For shallow foundations:
 - 1) Net allowable bearing pressure considering shear as well as settlement criteria for isolated footing, continuous strip footing and raft foundation.
 - 2) Modulus of subgrade reaction and modulus of elasticity of substrata.
- d) For pile foundations: Safe load carrying capacity.
- e) Dynamic soil properties such as shear wave velocity, dynamic shear modulus, Poisson's ratio, damping ratio, as applicable.
- f) Suitability of the soil for backfilling around foundations.
- g) Susceptibility of sub-soil strata to liquefaction, if any, in the event of dynamic loading.
- h) Remedial measures against the presence of harmful chemicals in the sub-soil/ground water.

4 CLASSIFICATION AND IDENTIFICATION OF SOILS

The classification and identification of soils for engineering purposes shall be in accordance with accepted standard [6-2(6)].

5 MATERIALS

Cement, coarse aggregate, fine aggregate, lime, *Surkhi*, steel, timber and other materials go into the construction of foundations shall conform to the requirements of Part 5 'Building Materials' of the Code.

5.2 Protection Against Deterioration of Materials

Where a foundation is to be in contact with soil, water or air, that is, in a condition conducive to the deterioration of the materials of the foundation, protective measures shall be taken to minimize the deterioration of the materials.

5.2.1 Concrete

The concrete used for construction shall be in accordance with Part 6 'Structural Design', Section 5 'Concrete' of the Code.

5.2.2 Timber

Where timber is exposed to soil, it shall be treated in accordance with good practice [6-2(7)].

6 GENERAL REQUIREMENTS FOR FOUNDATIONS/SUB-STRUCTURES FOR BUILDINGS

6.1 Types of Foundations

Types of foundations for buildings covered in this Section are:

- a) *Shallow foundations (see 7)*
 - 1) Pad or spread and strip foundations (see 7.3),
 - 2) Raft foundations (see 7.4),
 - 3) Ring foundations (see 7.5), and
 - 4) Shell foundations (see 7.6).

- b) *Deep foundations*
 - 1) Pile Foundations
 - i) Driven cast *in-situ* concrete piles (see 8.2),
 - ii) Bored cast *in-situ* concrete piles (see 8.2),
 - iii) Driven precast concrete piles (see 8.3),
 - iv) Precast concrete piles in prebored holes (see 8.4),
 - v) Under-reamed concrete piles (see 8.5),
 - vi) Timber piles (see 8.6), and

vii) Spun piles.

NOTE – Spun piles are used in deep marshy soils as conventional pile installation beyond 50 m in such soils is very difficult.

c) *Other foundations/Sub-structures/Foundations for special structure*

- 1) Pier foundations (see **10.1**),
- 2) Combined Piled-Raft Foundation (see **9**)
- 3) Diaphragm walls (see **10.2**), and
- 4) Machine Foundations (see **10.2**).

6.2 Depth of Foundations

6.2.1 The depth to which foundations should be carried depends upon the following principal factors:

- a) Getting adequate allowable bearing capacity.
- b) In the case of clayey soils, penetration below the zone where shrinkage and swelling due to seasonal weather changes, and due to trees and shrubs are likely to cause appreciable movements.
- c) In fine sands and silts, penetration below the depth of frost penetration.
- d) Maximum depth of scour, wherever relevant, should also be considered and the foundation should be located sufficiently below this depth.
- e) Other factors such as ground movements and heat transmitted from the building to the supporting ground may be important.

6.2.2 All foundations shall extend to a depth of at least 500 mm below natural ground level. On rock or such other weather resisting natural ground, removal of the top soil may be all that is required. In such cases, the surface shall be cleaned and, if necessary, stepped or otherwise prepared so as to provide a suitable bearing and thus prevent slipping or other unwanted movements.

6.2.3 Where there is excavation, ditch, pond, water course, filled-up ground or similar condition of the subsoil on which the structure is to be erected, the foundation of such structure shall either be carried down to a depth beyond the detrimental influence of such conditions, or retaining walls shall be provided for the purpose of shielding from the effects of such conditions.

6.2.4 A foundation in any type of soil shall be below the zone significantly weakened by root holes or cavities produced by burrowing animals or works. The depth shall also be enough to prevent the rainwater scouring below the footings.

6.2.5 Clayey soils, like black cotton soils, are seasonally affected by drying, shrinkage and cracking in dry and hot weather, and by swelling in the following wet weather to a depth which will vary according to the nature of the clay and the climatic condition of the region. It is necessary in these soils, either to place the foundation bearing at such a depth where the effects of seasonal changes are not important or to make the foundation capable of eliminating the undesirable effects due to relative movement by providing flexible type of construction or rigid foundations. Adequate load counteracting against swelling pressures also provide satisfactory foundations.

6.3 Foundation at Different Levels

6.3.1 Where footings are adjacent to sloping ground or where the bottoms of the footings of a structure are at different levels or at levels different from those of the footings of adjoining structures, the depth of the footings shall be such that the difference in footing elevations shall be subject to the following limitations:

- a) When the ground surface slopes downward adjacent to a footing, the sloping surface shall not intersect a frustum of bearing material under the footing having sides which make an angle of 30° with the horizontal for soil and horizontal distance from the lower edge of the footing to the sloping surface shall be at least 600 mm for rock and 900 mm for soil (see Fig. 2).

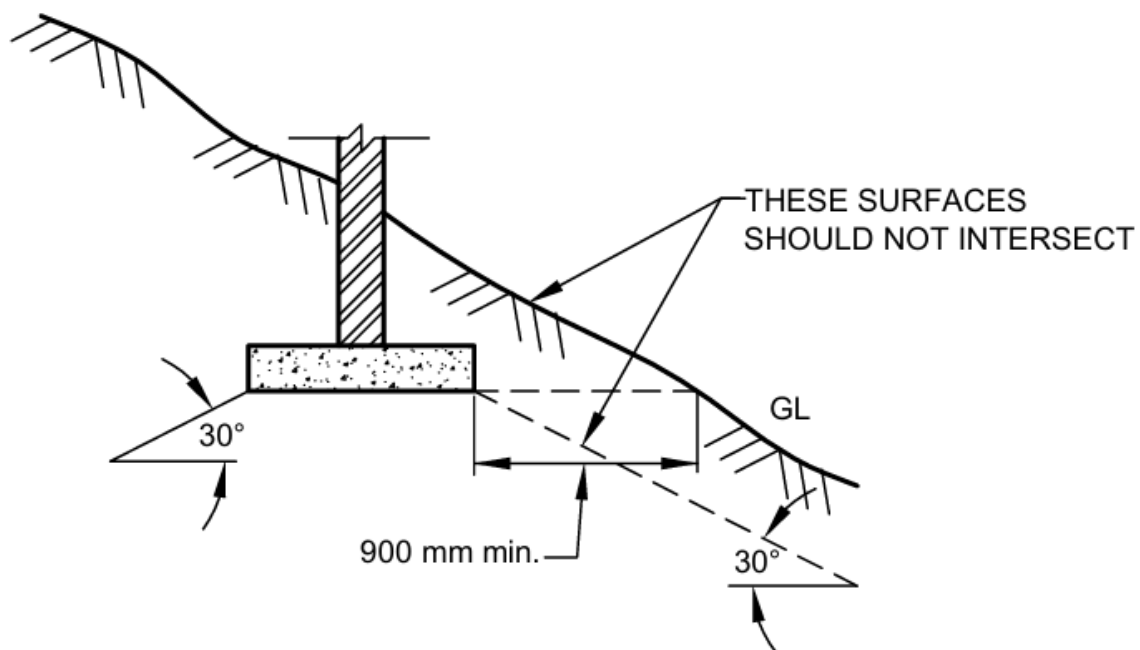


FIG.2 FOOTING IN SLOPING GROUND

- b) In the case of footings in granular soil, a line drawn between the lower adjacent edges of adjacent footings shall not have a steeper slope than one vertical to two horizontal (see Fig. 3).

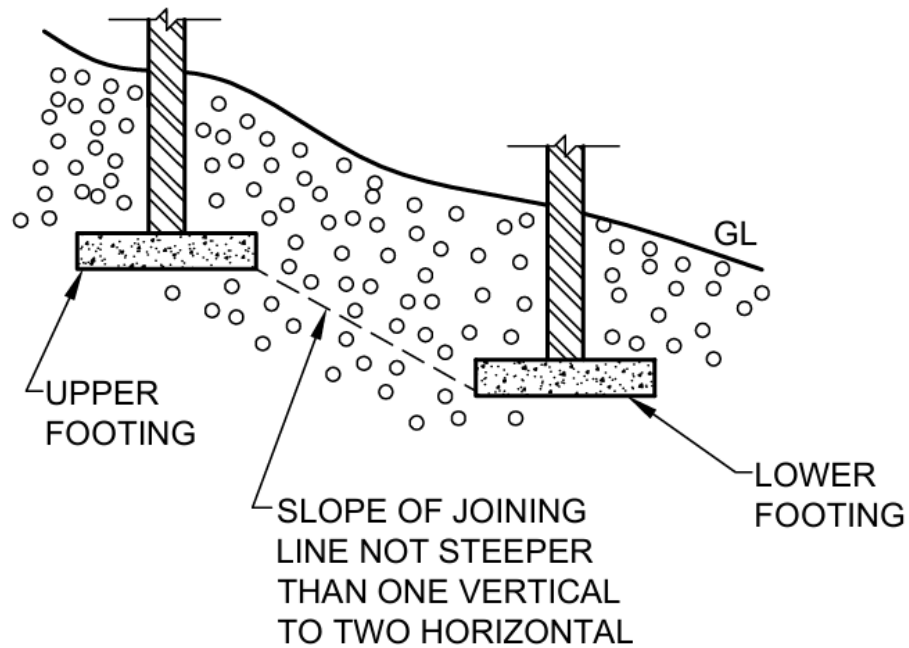


FIG.3 FOOTING IN GRANULAR SOIL

- c) In case of footing in clayey soils a line drawn between the lower adjacent edge of the upper footing and the upper adjacent edge of lower footing shall not have a steeper slope than one vertical to two horizontal (see Fig. 4).

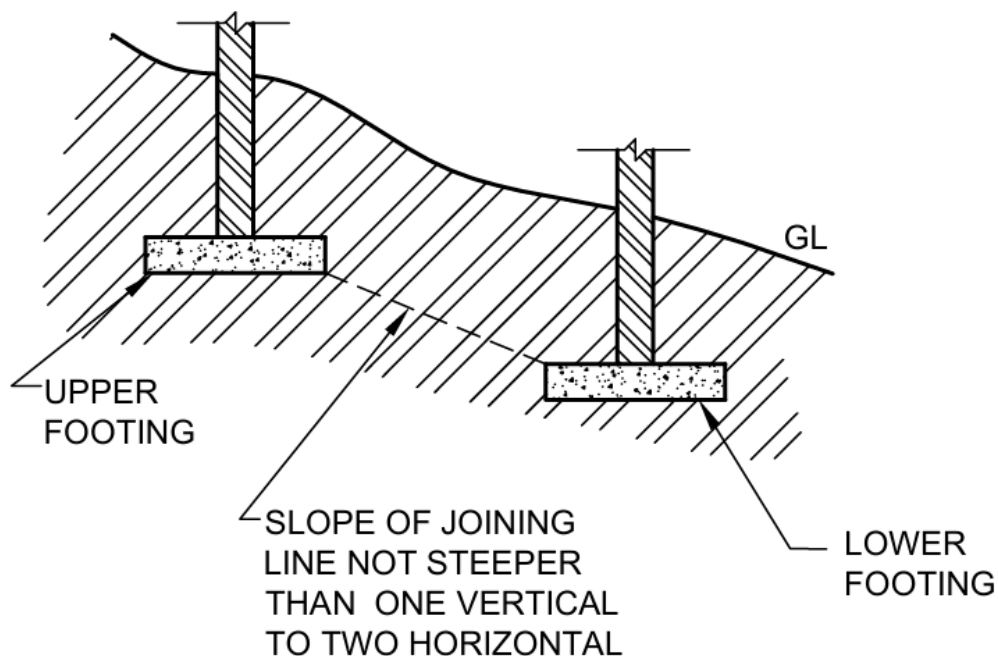


FIG.4 FOOTING IN CLAYEY SOIL

6.3.2 The requirement given in **6.3.1** shall not apply in the condition where adequate provision is made for the lateral support (such as with retaining walls) of the material supporting the higher footing.

6.4 Effect of Seasonal Weather Changes

During periods of hot, dry weather a deficiency of water develops near the ground surface and in clay soils, that is associated with a decrease of volume or ground shrinkage and the development of cracks. The shrinkage of clay will be increased by drying effect produced by fast growing and water seeking trees. The range of influence depends on size and number of trees and it increase during dry periods. In general, it is desirable that there shall be a distance of at least 8 m between such trees. Boiler installations, furnaces, kilns, underground cables and refrigeration installations and other artificial sources of heat may also cause increased volume changes of clay by drying out the ground beneath them, the drying out can be to a substantial depth. Special precautions either in the form of insulation or otherwise should be taken. In periods of wet weather, clay soils swell and the cracks tend to close, the water deficiency developed in the previous dry periods may be partially replenished and a subsurface zone or zones deficient in water may persist for many years. Leakage from water mains and underground sewers may also result in large volume changes. Therefore, special care shall be taken to prevent such leakages.

6.5 Effect of Mass Movements of Ground in Unstable Areas

In certain areas mass movements of the ground are liable to occur from causes independent of the loads applied by the foundations of structures. These include mining subsidence, landslides on unstable slopes and creep on clay slopes.

6.5.1 Mining Subsidence

In mining areas, subsidence of the ground beneath a building or any other structure is liable to occur. The magnitude of the movement and its distribution over the area are likely to be uncertain and attention shall, therefore, be directed to make the foundations and structures sufficiently rigid and strong to withstand the probable worst loading condition and probable ground movements. Where future subsidence is likely, care should be taken to design the superstructure and foundation sufficiently strong to cater for probable ground movements. Long continuous buildings should be avoided in such areas and large building in such area should be divided into independent sections of suitable size, each with its own foundations. Expert advice from appropriate mining authority should be sought.

NOTE – For prediction of subsidence in coal mines, guidelines as given in the good practice [6-2(8)] may be referred.

6.5.2 Landslide Prone Areas

The construction of structures on slopes which are suspected of being unstable and are subject to landslip shall be avoided.

On sloping ground on clay soils, there is always a tendency for the upper layers of soil to move downhill, depending on type of soil, the angle of slope, climatic conditions, etc. In some cases, the uneven surface of the slope on a virgin ground will indicate that the area is subject to small land slips and, therefore, if used for foundation, will

obviously necessitate special design consideration as specified in good practice [6-2(41)].

Where there may be creep of the surface layer of the soil, protection against creep may be obtained by following special design considerations.

On sloping sites, spread foundations shall be on a horizontal bearing and stepped. At all changes of levels, they shall be lapped at the steps for a distance at least equal to the thickness of the foundation or twice the height of the step, whichever is greater. The steps shall not be of greater height than the thickness of the foundation, unless special precautions are taken.

Cuttings, excavations or sloping ground near and below foundation level may increase the possibility of shear failure of the soil. The foundation shall be well beyond the zone of such shear failure.

If the probable failure surface intersects a retaining wall or other revetment, the latter shall be made strong enough to resist any unbalanced thrust. In case of doubt as to the suitability of the natural slopes or cuttings, the structure shall be kept well away from the top of the slopes, or the slopes shall be stabilized.

Cuttings and excavations adjoining foundations reduce stability and increase the likelihood of differential settlement. Their effect should be investigated not only when they exist but also when there is possibility that they are made subsequently.

Where a structure is to be placed on sloping ground, additional complications are introduced. The ground itself, particularly if of clay, may be subject to creep or other forms of instability, which may be enhanced if the strata dip in the same direction as the ground surface. If the slope of the ground is large, the overall stability of the slope and substructure may be affected. These aspects should be carefully investigated.

6.6 Precautions for Foundations on Inclined Strata

In the case of inclined strata, if they dip towards a cutting or basement, it may be necessary to carry foundation below the possible slip planes, and drainage also requires special consideration, particularly on the uphill side of a structure to divert the natural flow of water away from the foundations.

6.7 Strata of Varying Thickness

Strata of varying thickness, even at appreciable depth, may increase differential settlement. Where necessary, calculations should be made of the estimated settlement from different thickness of strata and the structure should be designed accordingly. When there is large change of thickness of soft strata, the stability of foundation may be affected. Site investigations should, therefore, ensure detection of significant variations in strata thickness.

6.8 Layers of Softer Material

Some soils and rocks have thin layers of softer material between layers of harder material, which may not be detected unless thorough investigation is carried out. The softer layers may undergo marked changes in properties if the loading on them is increased or decreased by the proposed construction or affected by related changes in ground water conditions. These should be taken into account.

6.9 Spacing Between Existing and New Foundation

The deeper the new foundation and the nearer to the existing it is located, the greater the damage is likely to be. The minimum horizontal spacing between existing and new footings shall be equal to the width of the wider one. While the adoption of such provision shall help minimizing damage to adjacent foundation, an analysis of bearing capacity and settlement shall be carried out to have an appreciation of the effect on the adjacent existing foundation. Suitable site-specific protection measures shall be adopted for the existing foundation, as required.

6.10 Preliminary Work for Construction

6.10.1 The construction of access roads, main sewers and drains should preferably be completed before commencing the work of foundations; alternatively, sufficient precautions shall be taken to protect the already constructed foundations during subsequent work.

6.10.2 Clearance of Site

Any obstacles, including the stump of trees, likely to interfere with the work shall be removed. Holes left by digging, such as those due to removal of old foundation, uprooted trees, burrowing by animals, etc, shall be back-filled with soil and well compacted.

6.10.3 Drainage

If the site of a structure is such that surface water drain towards it, land may be dressed or drains laid to divert the water away from the site.

6.10.4 Setting Out

Generally, the site shall be levelled before the layout of foundations are set out. In case of sloping terrain, care shall be taken to ensure that the dimensions on plans are set out correctly in one or more horizontal planes.

6.10.5 The layout of foundations shall be set out in accordance of good practice [6-2(42)]. The setting out of walls shall be facilitated by permanent row of pillars, parallel to and at a suitable distance beyond the periphery of the building. The pillars shall be located at junctions of cross walls with the peripheral line of pillars. The centre lines of the cross walls shall be extended to and permanently erected on the plastered tops of the corresponding sets of pillars. The datum lines parallel to and at the known fixed distance from the centre lines of the external walls also be permanently worked on the

corresponding rows of pillars to pillars to serve as checks on the accuracy of the work as it proceeds. The tops of these pillars shall be at the same level and preferably at the plinth or floor level. The pillars shall be of sizes not less than 250 mm wide and shall be bedded sufficiently deep into ground, so that they are not disturbed.

6.11 Protection of Excavation

6.11.1 The protection of excavation during construction shall be done in accordance with [6-2(9)].

6.11.2 After excavation, the bottom of the excavation shall be cleared of all loose soil and rubbish and shall be levelled, where necessary. The bed shall be wetted and compacted by heavy rammers to an even surface.

6.11.3 Excavation in clay or other soils that are liable to be effected by exposure to atmosphere shall, wherever possible, be concreted as soon as they are dug. Alternatively, the bottom of the excavation shall be protected immediately by 80 mm thick layer of cement concrete not leaner than mix 1 : 5 : 10 over which shall come the foundation concrete; or in order to obtain a dry hard bottom, the last excavation of about 100 mm shall be removed only before concreting.

6.11.4 The backfilling of the excavation shall be done with care so as not to disturb the constructed foundation, and shall be compacted in layers not exceeding 150 mm thick with sprinkling of minimum quantity of water necessary for proper compaction.

6.11.5 To support excavation sides where open excavation is required beyond a certain depth and safe slopes are not feasible, shoring shall be provided. This ensures stability, allows near-vertical soil cutting, and prevents soil collapse. Shoring systems can include concrete shoring pile walls (secant or tangent wall systems), soldier pile walls, diaphragm walls, or other suitable methods, depending on soil conditions, excavation depth, and selected construction technology.

Temporary shoring is generally defined as a system intended for service for a limited period. If earth retention structures are required for an extended duration, they should be designed as permanent structures.

For temporary shoring, the design should consider soil pressure and ensure that the selected system, including piles and anchors (if provided), can safely support the applied loads under service conditions.

The type of earth pressure to be considered depends on the flexibility and support conditions of the shoring system. Cantilevered or flexible walls with limited support require a specific earth pressure approach, whereas more rigid walls that exhibit minimal deflection require a different consideration.

For permanent conditions, all final loads, including surcharge effects, must be resisted by the structural walls, designed with appropriate safety considerations. The structural design should ensure:

- a) Deflections remain within allowable limits.

- b) Structural elements maintain adequate strength and stability.

6.12 Alterations During Construction

- a) Where during construction the soil or rock to which foundation is to transfer loads is found not to be the type or in the condition assumed, the foundation shall be redesigned and constructed for the existing type or conditions and the Authority notified.
- b) Where a foundation bears on gravel, sand or silt and where the highest level of the ground water is or likely to be higher than an elevation defined by bearing surface minus the width of the footing, the bearing pressure shall be suitably altered.
- c) Where the foundation has not been placed or located as indicated earlier or is damaged or bears on a soil whose properties may be adversely changed by climatic and construction conditions, the error shall be corrected, the damaged portion repaired or the design capacity of the affected foundation recalculated to the satisfaction of the Authority.
- d) Where a foundation is placed, and if the results of a load test so indicate, the design of the foundation shall be modified to ensure structural stability of the same.

7 SHALLOW FOUNDATIONS

7.1 Design Information

For the satisfactory design of foundations, the following information is necessary:

- a) Type and condition of the soil or rock to which the foundation transfers the loads;
- b) General layout of the columns and load-bearing walls showing the estimated loads, including moments and torques due to various loads (dead load, imposed load, wind load, seismic load) coming on the foundation units;
- c) Allowable bearing pressure of the soils;
- d) Changes in ground water level, drainage and flooding conditions and also the chemical conditions of the subsoil water, particularly with respect to its sulphate content;
- e) Behaviour of the buildings, topography and environment/ surroundings adjacent to the site, the type and depths of foundations and the bearing pressure; and
- f) Seismic zone of the region.

7.2 Design Considerations

7.2.1 Design Loads

The foundation shall be proportioned for the following combination of loads:

- a) Dead load + Imposed load; and
- b) Dead load + Imposed load + Wind load or seismic loads, whichever is critical.

For details, reference shall be made to Part 6 'Structural Design', Section 1 'Loads, Forces and Effects' of the Code.

NOTE — For shallow foundations on coarse grained soils, settlements shall be estimated corresponding to 7.2.1 (b) and for foundations on fine grained soils, the settlement shall be estimated corresponding to permanent loads only. Permanent loads shall be in accordance with good practice [6-2(10)].

7.2.2 Allowable Bearing Pressure

The allowable bearing pressure shall be taken as either of the following, whichever is less:

- a) The safe bearing capacity on the basis of shear strength characteristics of soil, or
- b) The bearing pressure that the soil can take without exceeding the permissible settlement (see 7.2.3).

7.2.2.1 Bearing capacity by calculation

Where the engineering properties of the soil are available, that is, cohesion, angle of internal friction, density, etc, the bearing capacity shall be calculated from stability considerations of shear; factor of safety of 2.5 shall be adopted for safe bearing capacity. The effect of interference of different foundations should be taken into account. The procedure for determining the ultimate bearing capacity and bearing pressure of shallow foundations based on shear and allowable settlement criteria shall be in accordance with good practice [6-2(11)]. Depth factor correction is to be applied only when backfilling is done with proper compaction.

7.2.2.2 Field method for determining allowable bearing pressure

Where appropriate, plate load tests can be performed and allowable pressure determined as per accepted standard [6-2(12)]. The allowable bearing pressure for sandy soils may also be obtained by loading tests. When such tests cannot be done, the allowable bearing pressure for sands may be determined using penetration test.

7.2.2.3 Where the bearing materials directly under a foundation over-lie a stratum having smaller safe bearing capacity, these smaller values shall not be exceeded at the level of such stratum.

7.2.2.4 Effect of wind and seismic force

7.2.2.4.1 Where the bearing pressure due to wind is less than 25 percent of that due to dead and imposed loads, it may be neglected in design. Where this exceeds 25 percent, foundations may be so proportioned that the pressure due to combined dead, imposed and wind loads does not exceed the allowable bearing pressure by more than 25 percent.

7.2.2.4.2 When earthquake forces are considered for the computation of design loads, the permissible increase in bearing pressure of pertaining soil shall be as given in Part

6 'Structural Design, Section 1 Loads, Forces and Effects', depending upon the type of foundation of the structure and the type of soil.

7.2.2.5 Bearing capacity of buried strata

If the base of a foundation is close enough to a strata of lower bearing capacity, the latter may fail due to excess pressure transmitted to it from above. Care should be taken to see that the pressure transmitted to the lower strata is within the prescribed safe limits. When the footings are closely spaced, the pressure transmitted to the underlying soil will overlap. In such cases, the pressure in the overlapped zones will have to be considered. With normal foundations, it is sufficiently accurate to estimate the bearing pressure on the underlying layers by assuming the load to be spread at a slope of 2 (vertical) to 1 (horizontal).

7.2.3 Settlement

The permissible values of total and differential settlement for a given type of structure may be taken as given in Table 3. Total settlements of foundation due to net imposed loads shall be estimated in accordance with good practice [6-2(13)]. The following causes responsible for producing the settlement shall be investigated and taken into account.

a) Causes of Settlement

- 1) Elastic compression of the foundation and the underlying soil,
- 2) Consolidation including secondary compression,
- 3) *Ground water lowering* – Specially repeated lowering and raising of water level in loose granular soils tend to compact the soil and cause settlement of the footings. Prolonged lowering of the water table in fine grained soils may introduce settlement because of the extrusion of water from the voids. Pumping water or draining water by tiles or pipes from granular soils without an adequate mat of filter material as protection may, in a period of time, carry a sufficient amount of fine particles away from the soil and cause settlement.
- 4) Seasonal swelling and shrinkage of expansive clays.
- 5) Ground movement on earth slope, for example, surface erosion, slow creep or landslides.
- 6) Other causes, such as adjacent excavation, mining, subsidence and underground erosion.

b) Causes of Differential Settlements

- 1) Geological and physical non-uniformity or anomalies in type, structure, thickness, and density of the soil medium (pockets of sand in clay, clay lenses in sand, wedge like soil strata, that is, lenses in soil), an admixture of organic matter, peat, mud;
- 2) Non-uniform pressure distribution from foundation to the soil due to non-uniform loading and incomplete loading of the foundations;
- 3) Water regime at the construction site,

- 4) Overstressing of soil at adjacent site by heavy structures built next to light ones;
- 5) Overlap of stress distribution in soil from adjoining structures;
- 6) Unequal expansion of the soil due to excavation for footing;
- 7) Non-uniform development of extrusion settlements; and
- 8) Non-uniform structural disruptions or disturbance of soil due to freezing and thawing, swelling and softening and drying of soils.

7.2.4 Shallow Foundations on Rocks

Estimation of the safe bearing pressures of rocks for shallow foundations based on strength, allowable settlement and classification criteria; and also design and construction of shallow foundations on rocks shall be carried out in accordance with the good practice [6-2(15)].

7.3 Pad or Spread and Strip Foundations

7.3.1 In such type of foundations, wherever the resultant of the load deviates from the centre line by more than 1/6 of its least dimension at the base of footing, it should be suitably reinforced.

7.3.2 For continuous wall foundations (plain or reinforced) adequate reinforcement should be provided particularly at places where there is abrupt change in magnitude of load or variation in ground support.

7.3.3 On sloping sites the foundation should have a horizontal bearing and stepped and lapped at changes of levels for a distance at least equal to the thickness of foundation or twice the height of step, whichever is greater. The steps should not be of greater height than thickness of the foundations.

7.3.4 Ground Beams

The foundation can also have the ground beam for transmitting the load. The ground beam carrying a load bearing wall should be designed to act with the wall forming a composite beam, when both are of reinforced concrete and structurally connected by reinforcement. The ground beam of reinforced concrete structurally connected to reinforced brick work can also be used.

7.3.5 Dimensions of Foundation

The dimensions of the foundation in plan should be such as to support loads as given in good practice [6-2(10)]. The width of the footings shall be such that maximum stress in the concrete or masonry is within the permissible limits. The width of wall foundation (in mm) shall not be less than that given by:

$$B = W + 300$$

where

B = width at base, in mm; and

$W =$ width of supported wall, in mm.

7.3.6 In the base of foundations for masonry foundation it is preferable to have the steps in multiples of thickness of masonry unit.

7.3.7 The plan dimensions of excavation for foundations should be wide enough to ensure safe and efficient working in accordance with good practice [6-2(9)].

7.3.8 Unreinforced foundation may be of concrete or masonry (stone or brick) provided that angular spread of load from the base of column/wall or bed plate to the outer edge of the ground bearing is not more than 1 vertical to $1/2$ horizontal for masonry or 1 vertical to 1 horizontal for cement concrete and 1 vertical to $2/3$ horizontal for lime concrete. The minimum thickness of the foundation of the edge should not be less than 150 mm. In case the depth to transfer the load to the ground bearing is less than the permissible angle of spread, the foundations should be reinforced.

7.3.9 If the bottom of a pier is to be belled so as to increase its load carrying capacity such bell should be at least 300 mm thick at its edge. The sides should be sloped at an angle of not less than 45° with the horizontal. The least dimension should be 600 mm (circular, square or rectangular). The design should allow for the vertical tilt of the pier by 1 percent of its height.

7.3.10 If the allowable bearing capacity is available only at a greater depth, the foundation can be rested at a higher level for economic considerations and the difference in level between the base of foundation and the depth at which the allowable bearing capacity occurs can be filled up with either: (a) concrete of allowable compressive strength not less than the allowable bearing pressure, (b) incompressible fill material, for example, sand, gravel, etc, in which case the width of the fill should be more than the width of the foundation by an extent of dispersion of load from the base of the foundation on either side at the rate of 2 vertical to 1 horizontal.

7.3.11 The cement concrete foundation (plain or reinforced) should be designed in accordance with Part 6 'Structural Design', Section 5 '~~Plain, Reinforced and Prestressed Concrete~~': Subsection 5A 'Plain and Reinforced Concrete' of the Code and masonry foundation in accordance with Part 6 'Structural Design', Section 4 'Masonry' of the Code.

7.3.12 *Thickness of Footing*

The thickness of different types of footings, if not designed according to **7.2**, should be as given in Table 4.

Table 3 Permissible Differential Settlements and Tilt (Angular Distortion) for Shallow Foundations in Soils
(Clause 7.2.3)

SI No.	Type of Structure	Isolated Foundations						Raft Foundations					
		Sand and Hard Clay			Plastic Clay			Sand and Hard Clay			Plastic Clay		
		Maximum Settlement mm	Differential Settlement mm	Angular Distortion	Maximum Settlement mm	Differential Settlement mm	Angular Distortion	Maximum Settlement mm	Differential Settlement mm	Angular Distortion	Maximum Settlement mm	Differential Settlement mm	Angular Distortion
(1)	(2)	(3)	(4)	(5)	(6)	(7)	(8)	(9)	(10)	(11)	(12)	(13)	(14)
i)	For steel structure	50	.003 3L	1/300	50	.003 3L	1/300	75	.003 3L	1/300	100	.003 3L	1/300
ii)	For reinforced concrete structures	50	.001 5L	1/666	75	.001 5L	1/666	75	.002 1L	1/500	125	.002L	1/500
iii)	For multistoreyed buildings												
	a) RC or steel framed buildings with panel walls	60	.002L	1/500	75	.002L	1/500	75	.0025L	1/400	125	.003 3L	1/300
	b) For load bearing walls												
	1) $L/H=2^{1)}$	60	.000 2L	1/5 000	60	.000 2L	1/5 000	← Not likely to be encountered →					
	2) $L/H=7^{1)}$	60	.000 4L	½ 500	60	.000 4L	1/2 500						
iv)	For water towers and silos	50	.001 5L	1/666	75	.001 5L	1/666	100	.0025L	1/400	125	.002 5L	1/400

¹⁾For intermediate ratios of L/H , the values can be interpolated.

NOTES

- 1** The values given in the table may be taken only as a guide and the permissible total settlement/different settlement and tilt (angular distortion) in each case should be decided as per requirements of the designer.
 - 2** L denotes the length of deflected part of wall/raft or centre-to-centre distance between columns.
 - 3** H denotes the height of wall from foundation footing.
-

Table 4 Thickness of Footings
(Clause 7.3.12)

SI No. (1)	Type of Footings (2)	Thickness of Footings, <i>Min</i> (3)	Remarks (4)
i)	Masonry	a) 250 mm b) Twice the maximum projection from the face of the wall	Select the greater of the two values
ii)	Plain concrete		
	a) For normal structures	a) 200 mm b) Twice the maximum offset in a stepped footing c) 300 mm	- For footings resting on soil For footings resting on top of the pile
	b) For lightly loaded structures	a) 150 mm b) 200 mm	Resting on soil Resting on pile
iii)	Reinforced concrete	a) 150 mm b) 300 mm	Resting on soil Resting on pile

7.3.13 Land Slip Area

On a sloping site, spread foundation shall be on a horizontal bearing and stepped. At all changes of levels, they shall be lapped at the steps for a distance at least equal to the thickness of the foundation or twice the height of the step, whichever is greater. The steps shall not be of greater height than the thickness of the foundation unless special precautions are taken. On sloping ground on clay soils, there is always a tendency for the upper layers of soil to move downhill, depending on type of soil, the angle of slope, climatic conditions, etc. Special precautions are necessary to avoid such a failure.

7.3.14 In the foundations, the cover to the reinforcement shall be as prescribed in Part 6 'Structural Design', Section 5 Concrete: Subsection 5A 'Plain and Reinforced Concrete' of the Code for the applicable environment exposure condition.

7.3.15 For detailed information regarding preparation of ground work, reference shall be made to good practice [6-2(16)].

7.4 Raft Foundations

7.4.1 Design Considerations

Design provisions given in **7.2** shall generally apply.

7.4.1.1 The structural design of reinforced concrete rafts shall conform to Part 6 'Structural Design', Section 5 Concrete: Subsection 5A 'Plain and Reinforced Concrete' of the Code.

7.4.1.2 In the case of raft, whether resting on soil directly or on lean concrete, the cover to the reinforcement shall be as prescribed in Part 6 'Structural Design', Section 5 Concrete, Subsection 5A 'Plain and Reinforced Concrete' of the Code for the applicable environment exposure condition.

7.4.1.3 In case the structure supported by the raft consists of several parts with varying loads and heights, it is advisable to provide separation joints between these parts. Joints shall also be provided, wherever there is a change in the direction of the raft.

7.4.1.4 Foundations subject to heavy vibratory loads should preferably be isolated.

7.4.1.5 The minimum depth of foundation shall generally be not less than 1 m.

7.4.1.6 Dimensional parameters

The size and shape of the foundation adopted affect the magnitude of subgrade modulus and long term deformation of the supporting soil and this, in turn, influences the distribution of contact pressure. This aspect needs to be taken into consideration in the analysis.

7.4.1.7 Eccentricity of loading

A raft generally occupies the entire area of the building and often it is not feasible and rather uneconomical to proportion it coinciding the centroid of the raft with the line of action of the resultant force. In such cases, the effect of the eccentricity on contact pressure distribution shall be taken into consideration.

7.4.1.8 Properties of supporting soil

Distribution of contact pressure underneath a raft is affected by the physical characteristics of the soil supporting it. Consideration shall be given to the increased contact pressure developed along the edges of foundation on cohesive soils and the opposite effect on granular soils. Long term consolidation of deep soil layers shall be taken into account in the analysis. This may necessitate evaluation of contact pressure distribution both immediately after construction and after completion of the consolidation process. The design shall be based on the worst conditions.

7.4.1.9 Rigidity of foundations

Rigidity of the foundation tends to iron out uneven deformation and thereby modifies the contact pressure distribution. High order of rigidity is characterized by long moments and relatively small, uniform settlements. A rigid foundation may also generate high secondary stresses in structural members. The effect of rigidity shall be taken into account in analysis.

7.4.1.10 Rigidity of the super structure

Free response of the foundations to soil deformation is restricted by the rigidity of the superstructure. In the extreme case, a stiff structure may force a flexible foundation to behave as rigid. This aspect shall be considered to evaluate the validity of the contact pressure distribution.

7.4.1.11 Modulus of elasticity and modulus of subgrade reaction

Annex A enumerates the methods of determination of modulus of elasticity (E_s). The modulus of subgrade reaction (k) may be determined in accordance with Annex B.

7.4.2 Necessary Information

The following information is necessary for a satisfactory design and construction of a raft foundation:

- a) Site plan showing the location of the proposed as well as the neighbouring structures;
- b) Plan and cross-sections of building showing different floor levels, shafts and openings, etc, layout of loading bearing walls, columns, shear walls, etc;
- c) Loading conditions, preferably shown on a schematic plan indicating combination of design loads transmitted to the foundation;
- d) Information relating to geological history of the area, seismicity of the area, hydrological information indicating ground water conditions and its seasonal variations, etc;
- e) Geotechnical information giving subsurface profile with stratification details, engineering properties of the founding strata (namely, index properties, effective shear parameters determined under appropriate drainage conditions, compressibility characteristics, swelling properties, results of field tests like static and dynamic penetration tests, pressure meter tests, etc); and
- f) A review of the performance of similar structure, if any, in the locality.

7.4.3 Choice of Raft Type

7.4.3.1 For fairly small and uniform column spacing and when the supporting soil is not too compressible a flat concrete slab having uniform thickness throughout (a true mat) is most suitable (see Fig. 5A).

7.4.3.2 A slab may be thickened under heavy loaded columns to provide adequate strength for shear and negative moment. Pedestals may also be provided in such cases (see Fig. 5B).

7.4.3.3 A slab and beam type of raft is likely to be more economical for large column spacing and unequal column loads particularly when the supporting soil is very compressive (see Fig. 5C and Fig. 5D).

7.4.3.4 For very heavy structures, provision of cellular raft or rigid frames consisting of slabs and basement walls may be considered.

7.4.4 *Methods of Analysis*

The essential task in the analysis of a raft foundation is the determination of the distribution of contact pressure underneath the raft which is a complex function of the rigidity of the superstructure, the supporting soil and the raft itself, and cannot be determined with exactitude, except in very simple cases. This necessitates a number of simplifying assumptions to make the problem amenable to analysis. Once the distribution of contact pressure is determined, design bending moments and shears can be computed based on statics. The methods of analysis suggested are distinguished by the assumptions involved. Choice of a particular method should be governed by the validity of the assumptions in the particular case.

7.4.4.1 *Rigid foundation (Conventional method)*

This method is based on the assumption of linear distribution of contact pressure. The basic assumptions of this method are,

- a) the foundations rigid relative to the supporting soil and the compressible soil layer is relatively shallow; and
- b) the contact pressure variation is assumed as planar, such that the centroid of the contact pressure coincides with the line of action of the resultant force of all loads acting on the foundation.

This method may be used when either of the following conditions is satisfied:

- 1) The structure behaves as rigid (due to the combined action of the superstructure and the foundation) with relative stiffness factor $K > 0.5$ (for evaluation of K , see Annex C); and
- 2) The column spacing is less than $1.75/\lambda$ (see Annex C).

The raft is analyzed as a whole in each of the two perpendicular directions. The contact pressure distribution is determined by the procedure outlined in Annex D. Further analysis is also based on statics.

In the case of uniform conditions when the variations in adjacent column loads and column spacings do not exceed 20 percent of the higher value, the raft may be divided into perpendicular strips of widths equal to the distance between mid-spans and each strip may be analyzed as an independent beam with known column loads and known contact pressures. Such beams will not normally satisfy statics due to shear transfer between adjacent strips and design may be based on suitable moment coefficients, or by moment distribution.

NOTE — On soft soils, for example, normally consolidated clays, peat, muck, organic silts, etc, the assumptions involved in the conventional method are commonly justified.

7.4.4.2 Flexible foundations

a) *Simplified method* — In this method, it is assumed that the subgrade consists of an infinite array of individual elastic springs each of which is not affected by others. The spring constant is equal to the modulus of subgrade reaction (k). The contact pressure at any point under the raft is, therefore, linearly proportional to the settlement at the point. Contact pressure may be determined as given in Annex E. This method may be used when all the following conditions are satisfied:

- 1) The structure (combined action of superstructure and raft) may be considered as flexible (relative stiffness factor $K < 0.5$, see Annex C).
- 2) Variation in adjacent column load does not exceed 20 percent of the higher value.

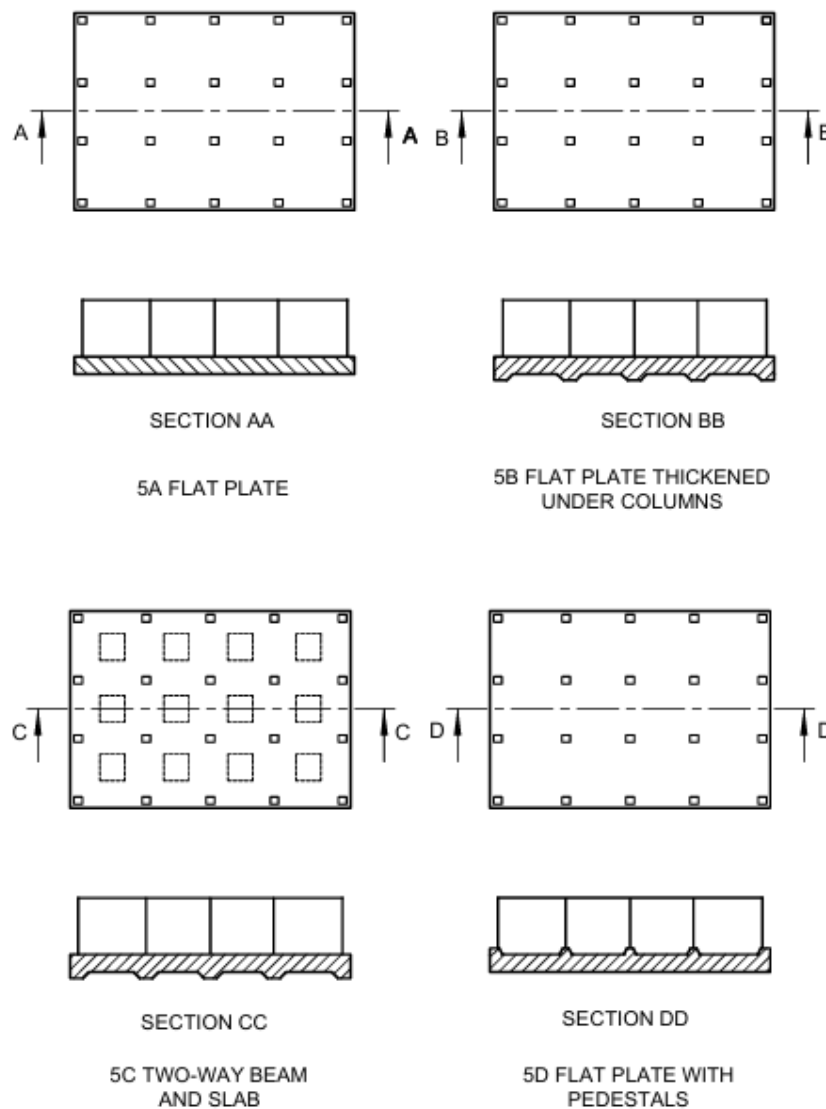


FIG.5 COMMON TYPES OF RAFT FOUNDATION

- b) *General method* — For the general case of a flexible foundation not satisfying the requirements of (a), the method based on closed form solution of elastic plate theory may be used. This method is based on the theory of plates on winkler foundation which takes into account the restraint on deflection of a point provided by continuity of the foundation in orthogonal foundation. The distribution of deflection and contact pressure on the raft due to a column load is determined by the plate theory. Since the effect of a column load on an elastic foundation is damped out rapidly, it is possible to determine the total effect at a point of all column loads within the zone of influence by the method of superimposition. The computation of effect at any point may be restricted to columns of two adjoining bays in all directions. The procedure is outlined in Annex F.

7.5 Ring Foundations

For provisions regarding ring foundations, good practice [6-2(17)] shall be referred to.

7.6 Shell Foundations

For provisions regarding shell foundations, good practice [6-2(18)] shall be referred to.

8 DEEP FOUNDATIONS

8.1 Deep foundations are structural elements used to transfer loads from a building or structure through weak, compressible soil to stronger, more competent soil or rock at depth. They're essential when shallow foundations, such as footings, are not feasible due to inadequate bearing capacity or excessive settlement.

Some important types of deep foundations which are being used in building and other structures are as follows:

- a) Pile foundations
- 1) driven/bored cast *in-situ* concrete piles
 - 2) driven precast concrete piles
 - 3) precast concrete piles in prebored holes
 - 4) under-reamed piles
 - 5) timber piles
- b) Pier foundation

8.2 Driven/Bored Cast *In-Situ* Concrete Piles

8.2.1 *General*

Piles find application in foundations to transfer loads from a structure to competent subsurface strata having adequate load-bearing capacity. The load transfer mechanism from a pile to the surrounding ground is complicated and is not yet fully understood, although application of piled foundations is in practice over many decades. Broadly, piles transfer axial loads either substantially by friction along its

shaft and/or by end bearing. Piles are used where either of the above load transfer mechanism is possible depending upon the subsoil stratification at a particular site. Construction of pile foundations require a careful choice of piling system depending upon the subsoil conditions, the load characteristics of a structure and the limitations of total settlement, differential settlement and any other special requirement of a project.

8.2.2 *Materials and Stresses*

8.2.2.1 *Concrete*

Consistency of concrete to be used shall be consistent with the method of installation of piles. Concrete shall be so designed or chosen as to have a homogeneous mix having a slump/workability consistent with the method of concreting under the given conditions of pile installation.

The slump should be 150 to 180 mm at the time of pouring.

The minimum grade of concrete to be used for bored piling shall be M 25. For sub-aqueous concrete, the requirements specified in Part 6 'Structural Design', Section 5 Concrete, of the Code shall be followed. The minimum cement content shall be 400 kg/m³. However, with proper mix design and use of proper admixture the cement content may be reduced but in no case the cement content shall be less than 350 kg/m³ [See also Table 5 (and Notes thereunder) of Part 6 'Structural Design', Section 5 Concrete of the Code].

For the concrete, water and aggregates, specifications laid down in Part 6 'Structural Design, Section 5 Concrete, of the Code shall be followed in general.

The average compressive stress under working load should not exceed 25 percent of the specified works cube strength at 28 days calculated on the total cross-sectional area of the pile. Where the casing of the pile is permanent, of adequate thickness and of suitable shape, the allowable compressive stress may be increased.

8.2.2.2 *Steel reinforcement*

Steel reinforcement shall conform to any one of the types of steel specified in Part 6 'Structural Design, Section 5 Concrete, of the Code.

8.2.3 *Design Considerations*

8.2.3.1 *General*

Pile foundations shall be designed in such a way that the load from the structure can be transmitted to the subsurface with adequate factor of safety against shear failure of subsurface and without causing such settlement (differential or total), which may result in structural damage and/or functional distress under permanent/transient loading. The pile shaft should have adequate structural capacity to withstand all loads (vertical, axial or otherwise) and moments which are to be transmitted to the subsoil

and shall be designed according to Part 6 'Structural Design', Section 5 Concrete, of the Code.

8.2.3.2 *Adjacent structures*

8.2.3.2.1 When working near existing structures, care shall be taken to avoid damage to such structures. The good practice [6-2(19)] may be used as a guide for studying qualitatively the effect of vibration on persons and structures.

8.2.3.2.2 In case of deep excavations adjacent to piles, proper shoring or other suitable arrangement shall be made to guard against undesired lateral movement of soil.

8.2.3.3 *Pile capacity*

The load carrying capacity of a pile depends on the properties of the soil in which it is embedded. Axial load from a pile is normally transmitted to the soil through skin friction along the shaft and end bearing at its tip. A horizontal load on a vertical pile is transmitted to the subsoil primarily by horizontal subgrade reaction generated in the upper part of the shaft. Lateral load capacity of a single pile depends on the soil reaction developed and the structural capacity of the shaft under bending. It would be essential to investigate the lateral load capacity of the pile using appropriate values of horizontal subgrade modulus of the soil. Alternatively, piles may be installed in rake.

8.2.3.3.1 The ultimate load capacity of a pile may be estimated by means of static formula on the basis of soil test results, or by using a dynamic pile formula using data obtained during driving the pile. However, dynamic pile driving formula should be generally used as a measure to control the pile driving at site. Pile capacity should preferably be confirmed by initial load tests [see good practice [6-2(20)]. For rock-socketed piles, reference shall also be made to good practice [6-2(21)] for estimating the load capacity of piles.

The settlement of pile obtained at safe load/working load from load-test results on a single pile shall not be directly used for estimating the settlement of a structure. The settlement may be determined on the basis of subsoil data and loading details of the structure as a whole using the principles of soil mechanics.

8.2.3.3.1.1 *Static formula*

The ultimate load capacity of a single pile may be obtained by using static analysis, the accuracy being dependent on the reliability of the soil properties for various strata. When computing capacity by static formula, the shear strength parameters obtained from a limited number of borehole data and laboratory tests should be supplemented, wherever possible by *in-situ* shear strength obtained from field tests. The two separate static formulae, commonly applicable for cohesive and non-cohesive soil respectively, are indicated in Annex G. Other formula based on static cone penetration test [see the accepted standards {6-2(22)}] and standard penetration test [see the accepted standard {6-2(13)}] are given in **G-3** and **G-4**.

8.2.3.3.1.2 *Dynamic formula*

For driven piles, any established dynamic formula may be used to control the pile driving at site giving due consideration to limitations of various formulae.

Whenever, double acting diesel hammers or hydraulic hammers are used for driving of piles, manufacturer's guidelines about energy and set criteria may be referred to. Dynamic formulae are not directly applicable to cohesive soil deposits such as saturated silts and clays as the resistance to impact of the tip of the casing will be exaggerated by their low permeability while the frictional resistance on the sides is reduced by lubrication.

8.2.3.3.1.3 *Load test results*

The ultimate load capacity of a single pile is determined with reasonable accuracy from test loading as per good practice [6-2(20)]. The load test on a pile shall not be carried out earlier than four weeks from the time of casting the pile.

8.2.3.3.1.4 *Uplift capacity*

The uplift capacity of a pile is given by sum of the frictional resistance and the weight of the pile (buoyant or total as relevant). The recommended factor of safety is 3.0 in the absence of any pullout test results and 2.0 with pullout test results. Uplift capacity can be obtained from static formula (see Annex G) by ignoring end bearing but adding weight of the pile (buoyant or total as relevant).

8.2.3.4 *Negative skin friction or dragdown force*

When a soil stratum, through which a pile shaft has penetrated into a underlying hard stratum, compresses as a result of either it being unconsolidated or it being under a newly placed fill or as a result of remoulding during driving of the pile, a dragdown force is generated along the pile shaft up to a point in depth where the surrounding soil does not move downward relative to the pile shaft. Existence of such a phenomenon shall be assessed and suitable correction shall be made to the allowable load where appropriate.

8.2.3.5 *Structural capacity*

The piles shall have necessary structural strength to transmit the loads imposed on it, ultimately to the soil. In case of uplift, the structural capacity of the pile, that is, under tension should also be considered.

8.2.3.5.1 *Axial capacity*

Where a pile is completely embedded in the soil (having an undrained shear strength not less than 0.01 N/mm²), its axial load carrying capacity is not necessarily limited by its strength as a long column. Where piles are installed through very weak soils (having an undrained shear strength less than 0.01 N/mm²), special considerations shall be made to determine whether the shaft would behave as a long column or not.

If necessary, suitable reductions shall be made for its structural strength following the normal structural principles covering the buckling phenomenon.

When the finished pile projects above ground level and is not secured against buckling by adequate bracing, the effective length will be governed by the fixity imposed on it by the structure it supports and by the nature of the soil into which it is installed. The depth below the ground surface to the lower point of contraflexure varies with the type of the soil. In good soil the lower point of contraflexure may be taken at a depth of 1 m below ground surface subject to a minimum of 3 times the diameter of the shaft. In weak soil (undrained shear strength less than 0.01 N/mm^2) such as soft clay or soft silt, this point may be taken at about half the depth of penetration into such stratum but not more than 3 m or 10 times the diameter of the shaft, whichever is more. The degree of fixity of the position and inclination of the pile top and the restraint provided by any bracing shall be estimated following accepted structural principles.

The permissible stress shall be reduced in accordance with similar provision for reinforced concrete columns as laid down in Part 6 'Structural Design', Section 5 Concrete, of the Code.

8.2.3.5.2 *Lateral load capacity*

A pile may be subjected to lateral force for a number of causes, such as wind, earthquake, water current, earth pressure, effect of moving vehicles or ships, plant and equipment, etc. The lateral load capacity of a single pile depends not only on the horizontal subgrade modulus of the surrounding soil but also on the structural strength of the pile shaft against bending, consequent upon application of a lateral load. While considering lateral load on piles, effect of other co-existent loads, including the axial load on the pile, should be taken into consideration for checking the structural capacity of the shaft. A recommended method for the pile analysis under lateral load is given in Annex H.

Because of limited information on horizontal subgrade modulus of soil and pending refinements in the theoretical analysis, it is suggested that the adequacy of a design should be checked by an actual field load test. In the zone of soil susceptible to liquefaction, the lateral resistance of the soil shall not be considered.

8.2.3.5.2.1 *Fixed and free head conditions*

A group of three or more pile connected by a rigid pile cap shall be considered to have fixed head condition. Caps for single piles shall be interconnected by grade beams in two directions and for twin piles by grade beams in a line transverse to the common axis of the pair so that the pile head is fixed. In all other conditions the pile shall be taken as free headed.

8.2.3.5.3 *Raker piles*

Raker piles are normally provided where vertical piles cannot resist the applied horizontal forces. Generally, the rake will be limited to 1 horizontal to 6 vertical. In the preliminary design, the load on a raker pile is generally considered to be axial. The distribution of load between raker and vertical piles in a group may be determined by

graphical or analytical methods. Where necessary, due consideration should be made for secondary bending induced as a result of the pile cap movement, particularly when the cap is rigid. Free-standing raker piles are subjected to bending moments due to their own weight or external forces from other causes. Raker piles, embedded in fill or consolidating deposits, may become laterally loaded owing to the settlement of the surrounding soil. In consolidating clay, special precautions, like provision of permanent casing should be taken for raker piles.

8.2.3.6 Spacing of piles

The minimum centre to centre spacing of pile is considered from three aspects, namely,

- a) practical aspects of installing the piles;
- b) diameter of the pile; and
- c) nature of the load transfer to the soil and possible reduction in the load capacity of piles group.

NOTE — In the case of piles of non-circular cross-section, diameter of the circumscribing circle shall be adopted.

8.2.3.6.1 In case of piles founded on hard stratum and deriving their capacity mainly from end bearing the minimum spacing shall be 2.5 times the diameter of the circumscribing circle corresponding to the cross-section of the pile shaft. In case of piles resting on rock, the spacing of two times the said diameter may be adopted.

8.2.3.6.2 Piles deriving their load carrying capacity mainly from friction shall be spaced sufficiently apart to ensure that the zones of soils from which the piles derive their support do not overlap to such an extent that their bearing values are reduced. Generally, the spacing in such cases shall not be less than 3 times the diameter of the pile shaft.

8.2.3.7 Pile groups

8.2.3.7.1 In order to determine the load carrying capacity of a group of piles a number of efficiency equations are in use. However, it is difficult to establish the accuracy of these efficiency equations as the behaviour of pile group is dependent on many complex factors. It is desirable to consider each case separately on its own merits.

8.2.3.7.2 The load carrying capacity of a pile group may be equal to or less than the load carrying capacity of individual piles multiplied by the number of piles in the group. The former holds true in case of friction piles, driven into progressively stiffer materials or in end-bearing piles. For driven piles in loose sandy soils, the group capacity may even be higher due to the effect of compaction. In such cases a load test may be carried out on a pile in the group after all the piles in the group have been installed.

8.2.3.7.3 In case of piles deriving their support mainly from friction and connected by a rigid pile cap, the group may be visualized as a block with the piles embedded within the soil. The ultimate load capacity of the group may then be obtained by taking into

account the frictional capacity along the perimeter of the block and end bearing at the bottom of the block using the accepted principles of soil mechanics.

8.2.3.7.3.1 When the cap of the pile group is cast directly on reasonably firm stratum which supports the piles, it may contribute to the load carrying capacity of the group. This additional capacity along with the individual capacity of the piles multiplied by the number of piles in the group shall not be more than the capacity worked out as per **8.2.3.7.3**.

8.2.3.7.4 When a pile group is subjected to moment either from superstructure or as a consequence of inaccuracies of installation, the adequacy of the pile group in resisting the applied moment should be checked. In case of a single pile subjected to moment due to lateral loads or eccentric loading, beams may be provided to restrain the pile cap effectively from lateral or rotational movement.

8.2.3.7.5 In case of a structure supported on single piles/group of piles resulting in large variation in the number of piles from column to column it may result in excessive differential settlement. Such differential settlement should be either catered for in the structural design or it may be suitably reduced by judicious choice of variations in the actual pile loading. For example, a single pile cap may be loaded to a level higher than that of the pile in a group in order to achieve reduced differential settlement between two adjacent pile caps supported on different number of piles.

8.2.3.8 *Factor of safety*

8.2.3.8.1 Factor of safety should be chosen after considering,

- a) the reliability of the calculated value of ultimate load capacity of a pile;
- b) the types of superstructure and the type of loading; and
- c) allowable total/differential settlement of the structure.

8.2.3.8.2 When the ultimate load capacity is determined from either static formula or dynamic formula, the factor of safety would depend on the reliability of the formula and the reliability of the subsoil parameters used in the computation. The minimum factor of safety on static formula shall be 2.5. The final selection of a factor of safety shall take into consideration the load settlement characteristics of the structure as a whole at a given site.

8.2.3.8.3 Higher value of factor of safety for determining the safe load on piles may be adopted, where,

- a) settlement is to be limited or unequal settlement avoided;
- b) large impact or vibrating loads are expected; and
- c) the properties of the soil may deteriorate with time.

8.2.3.9 *Transient loading*

The maximum permissible increase over the safe load of a pile, as arising out of wind loading, is 25 percent. In case of loads and moments arising out of earthquake effects,

the increase of safe load shall be as given in **7.2.2.4.2**. For transient loading arising out of superimposed loads, no increase is allowed.

8.2.3.10 *Overloading*

When a pile in a group, designed for a certain safe load is found, during or after execution, to fall just short of the load required to be carried by it, an overload up to 10 percent of the pile capacity may be allowed on each pile. The total overloading on the group should not, however, be more than 10 percent of the capacity of the group subject to the increase of the load on any pile being not more than 25 percent of the allowable load on a single pile.

8.2.3.11 *Reinforcement*

8.2.3.11.1 The design of the reinforcing cage varies depending upon the driving and installation conditions, the nature of the subsoil and the nature of load to be transmitted by the shaft - axial, or otherwise. The minimum area of longitudinal reinforcement of any type or grade within the pile shaft shall be 0.4 percent of the cross-sectional area of the pile shaft. The minimum reinforcement shall be provided throughout the length of the shaft.

8.2.3.11.2 The curtailment of reinforcement along the depth of the pile, in general, depends on the type of loading and subsoil strata. In case of piles subjected to compressive load only, the designed quantity of reinforcement may be curtailed at appropriate level according to the design requirements. For piles subjected to uplift load, lateral load and moments, separately or with compressive loads, it would be necessary to provide reinforcement for the full depth of pile. In soft clays or loose sands, or where there may be danger to green concrete due to driving of adjacent piles, the reinforcement should be provided to the full pile depth, regardless of whether or not it is required from uplift and lateral load considerations. However, in all cases, the minimum reinforcement specified in **8.3.11.1** shall be provided throughout the length of the shaft.

8.2.3.11.3 Piles shall always be reinforced with a minimum amount of reinforcement as dowels keeping the minimum bond length into the pile shaft below its cut-off level and with adequate projection into the pile cap, irrespective of design requirements.

8.2.3.11.4 Clear cover to all main reinforcement in pile shaft shall be not less than 50 mm. The laterals of a reinforcing cage may be in the form of links or spirals. The diameter and spacing of the same is chosen to impart adequate rigidity of the reinforcing cage during its handling and installations. The minimum diameter of the links or spirals shall be 8 mm and the spacing of the links or spirals shall be not less than 150 mm. Stiffner rings preferably of 16 mm diameter at every 1.5 m centre to centre should be provided along the length of the cage for providing rigidity to reinforcement cage. Minimum 6 numbers of vertical bars shall be used for a circular pile and minimum diameter of vertical bar shall be 12 mm. The clear horizontal spacing between the adjacent vertical bars shall be four times the maximum aggregate size in concrete. If required, the bars can be bundled to maintain such spacing.

8.2.3.12 Design of pile cap

8.2.3.12.1 The pile caps may be designed by assuming that the load from column is dispersed at 45° from the top of the cap to the mid-depth of the pile cap from the base of the column or pedestal. The reaction from piles may also be taken to be distributed at 45° from the edge of the pile, up to the mid-depth of the pile cap. On this basis the maximum bending moment and shear forces should be worked out at critical sections. The method of analysis and allowable stresses should be in accordance with Part 6 'Structural Design, Section 5 Concrete, Subsection 5A Plain and Reinforced Concrete' of the Code.

8.2.3.12.2 Pile cap shall be deep enough to allow for necessary anchorage of the column and pile reinforcement.

8.2.3.12.3 The pile cap should be rigid enough so that the imposed load could be distributed on the piles in a group equitably.

8.2.3.12.4 In case of a large cap, where differential settlement may occur between piles under the same cap, due consideration for the consequential moment should be given.

8.2.3.12.5 The clear overhang of the pile cap beyond the outermost pile in the group shall be a minimum of 150 mm.

8.2.3.12.6 The cap is generally cast over a 75 mm thick levelling course of concrete. The clear cover for main reinforcement in the cap slab shall not be less than 60 mm.

8.2.3.12.7 The embedment of pile into cap should be 75 mm.

8.2.3.13 Grade beams

8.2.3.13.1 The grade beams supporting the walls shall be designed taking due account of arching effect due to masonry above the beam. The beam with masonry due to composite action behaves as a deep beam.

For the design of beams, a maximum bending moment of $\frac{wl^2}{50}$, where w is uniformly distributed load per metre run (worked out by considering a maximum height of two storeys in structures with load bearing walls and one storey in framed structures) and l is the effective span, in metres, will be taken, if the beams are supported during construction till the masonry above it gains strength. The value of bending moment shall be increased to $\frac{wl^2}{30}$, if the beams are not supported. For considering composite action, the minimum height of wall shall be 0.6 times the beam span. The brick strength should not be less than 3 N/mm². For concentrated and other loads which come directly over the beam, full bending moment should be considered.

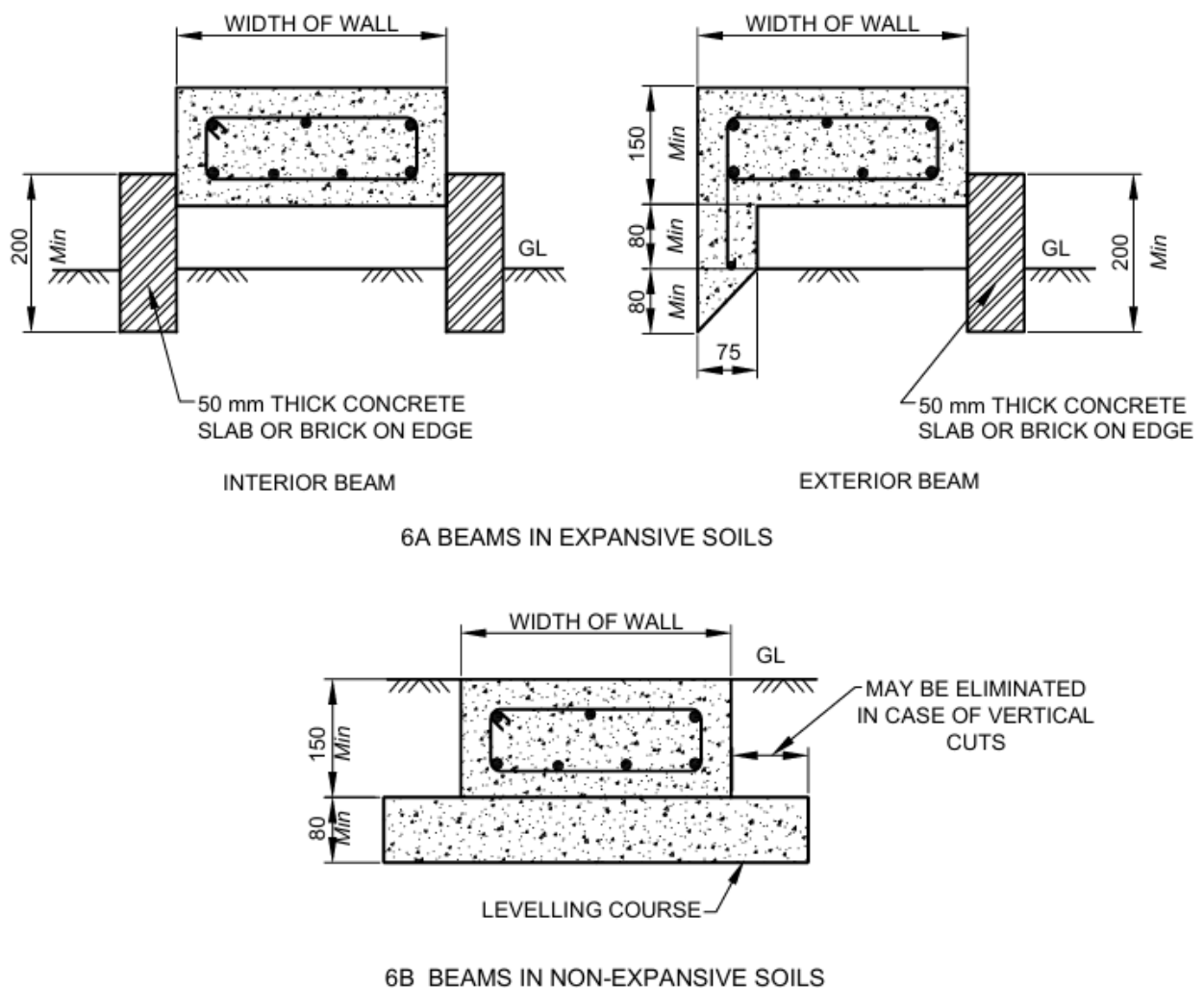
8.2.3.13.2 The minimum overall depth of grade beams shall be 150 mm. The reinforcement at the bottom should be kept continuous and an equal amount may be provided at top to a distance of a quarter span both ways from pile centres. The

longitudinal reinforcement both at top and bottom should not be less than three bars of 10 mm diameter mild steel (or equivalent deformed steel) and stirrups of 6 mm diameter bars should be spaced at a minimum of 300 mm spacing.

8.2.3.13.3 In expansive soils, the grade beams shall be kept a minimum of 80 mm clear off the ground. In other soils, beams may rest on ground over a leveling concrete course of about 80 mm (see Fig. 6).

8.2.3.13.4 In the case of exterior beams over piles in expansive soils, a ledge projection of 75 mm thickness and extending 80 mm into ground (see Fig. 6) shall be provided on the outer side of the beam.

8.2.4 For detailed information on driven/bored cast *in-situ* concrete piles regarding control of piling, installation, defective pile and recording of data, reference shall be made to good practice [6-2(23)].



All dimensions in millimetres.

FIG.6 TYPICAL SECTIONS OF GRADE BEAMS

8.2.5 Bored Cast In-Situ Concrete Piles on Rocks

Design and construction of bored cast *in-situ* piles founded on rocks shall be carried out in accordance with good practice [6-2(21)].

8.2.6 Non-Destructive Testing

For quality assurance of concrete piles, non-destructive integrity test may be carried out prior to laying of beam/caps, in accordance with good practice [6-2(24)].

8.3 Driven Precast Concrete Piles

8.3.1 Provisions of **8.2** except **8.2.3.11** shall generally apply.

8.3.2 Design of Pile Section

8.3.2.1 Design of pile section shall be such as to ensure the strength and soundness of the pile against lifting from the casting bed, transporting, handling and driving stresses without damage.

8.3.2.2 Any shape having radial symmetry will be satisfactory for precast piles. The most commonly used cross-sections are square and octagonal.

8.3.2.3 Where exceptionally long lengths of piles are required, hollow sections may be used. If the final condition requires larger cross-sectional area, the hollow sections may be filled with concrete after driving in position.

8.3.2.4 Wherever, final pile length is so large that a single length precast pile unit is either uneconomical or impracticable for installation, the segmental precast RCC piles with a number of segments using efficient mechanical jointing could be adopted.

Excessive whipping during handling precast pile may generally be avoided by limiting the length of pile to a maximum of 50 times the least width. As an alternative, segmental precast piling technique could be used.

The design of joints shall take care of corrosion by providing additional sacrificial thickness for the joint, wherever warranted.

8.3.2.5 Stresses induced by bending in the cross-section of precast pile during lifting and handling may be estimated as for any reinforced concrete section in accordance with relevant provisions of Part 6 'Structural Design, Section 5 Concrete of the Code. The calculations for bending moment for different support conditions during handling are given in Table 5.

Table 5 Bending Moment for Different Support Conditions
(Clause 9.2.5)

Sl No.	Number of Points of Pick Up	Location of Support from End in Terms of Length of Pile for Minimum Moments	Bending Moment to be Allowed for Design kN-m
(1)	(2)	(3)	(4)
i)	One	0.293 L	4.3 WL
ii)	Two	0.207 L	2.2 WL
iii)	Three	0.145 L, the middle point will be at the centre	1.05 WL

NOTE – W = weight of pile, in kN.
 L = length of pile, in m.

8.3.2.6 The driving stresses on a pile may be estimated by the following formula:

$$\frac{\text{Driving resistance}}{\text{Cross-sectional area of the pile}} \times \left[\frac{2}{\sqrt{n}} - 1 \right]$$

where

n = efficiency of the blow (see **8.3.2.6.1** for probable value of n).

NOTE — For the purpose of this formula, cross-sectional area of the pile shall be calculated as the overall sectional area of the pile including the equivalent area for reinforcement.

8.3.2.6.1 The formula for efficiency of the blow, representing the ratio of energy after impact to striking energy of ram, n , is:

where W is greater than $P \cdot e$ and the pile is driven into penetrable ground,

$$n = \frac{W + (P \cdot e^2)}{W + P}$$

where W is less than $P \cdot e$ and the pile is driven into penetrable ground,

$$n = \left[\frac{W + (P \cdot e^2)}{W + P} \right] - \left[\frac{W - (P \cdot e)}{W + P} \right]^2$$

The following are the values of n in relation to e and to the ratio of P/W :

<i>Sl No.</i>	<i>Ratio of P/W</i>	<i>e = 0.5</i>	<i>e = 0.4</i>	<i>e = 0.32</i>	<i>e = 0.25</i>	<i>e = 0</i>
(1)	(2)	(3)	(4)	(5)	(6)	(7)
i)	½	0.75	0.72	0.70	0.69	0.67
ii)	1	0.63	0.58	0.55	0.53	0.50
iii)	1½	0.55	0.50	0.47	0.44	0.40
iv)	2	0.50	0.44	0.40	0.37	0.33
v)	2½	0.45	0.40	0.36	0.33	0.28
vi)	3	0.42	0.36	0.33	0.30	0.25
vii)	3½	0.39	0.33	0.30	0.27	0.22
viii)	4	0.36	0.31	0.28	0.25	0.20
ix)	5	0.31	0.27	0.24	0.21	0.16
x)	6	0.27	0.24	0.21	0.19	0.14
xi)	7	0.24	0.21	0.19	0.17	0.12
xii)	8	0.22	0.20	0.17	0.15	0.11

NOTES

- 1 W = mass of the ram, in tonne and P = weight of the pile, anvil, helmet, and follower (if any), in tonne.
- 2 Where the pile finds refusal in rock, $0.5P$ should be substituted for P in the above expressions for n .
- 3 e is the coefficient of restitution of the materials under impact as tabulated below:
 - a) For steel ram of double-acting hammer striking on steel anvil and driving reinforced concrete pile, $e = 0.5$.
 - b) For cast-iron ram of single-acting or drop hammer striking on head of reinforced concrete pile, $e = 0.4$.
 - c) Single-acting or drop hammer striking a well-conditioned driving cap and helmet with hard wood dolly in driving reinforced concrete piles or directly on head of timber pile, $e = 0.25$.
 - d) For a deteriorated condition of the head of pile or of dolly, $e = 0$.

8.3.3 Reinforcement

8.3.3.1 The longitudinal reinforcement of any type or grade shall be provided in precast reinforced concrete piles for the entire length. All the main longitudinal bars shall be of the same length and should fit tightly into the pile shoe, if there is one. Shorter rods to resist local bending moments may be added but the same should be carefully detailed to avoid any sudden discontinuity of the steel which may lead to cracks during heavy driving. The area of main longitudinal reinforcement shall not be less than the following percentages of the cross-sectional area of the piles:

- a) For piles with a length less than 30 times the least width : 1.25 percent,
- b) For piles with a length 30 to 40 times the least width : 1.5 percent, and
- c) For piles with a length greater than 40 times the least width : 1.5 percent.

8.3.3.2 Piles shall always be reinforced with a minimum amount of reinforcement as dowels keeping the minimum bond length into the pile shaft below its cut-off level and with adequate projection into the pile cap, irrespective of design requirements.

8.3.3.3 Clear cover to all main reinforcement in pile shaft shall be not less than 50 mm. The laterals of a reinforcing cage may be in the form of links or spirals. The diameter and spacing of the same is chosen to impart adequate rigidity of the reinforcing cage during its handling and installations. The minimum diameter of the links or spirals shall be 8 mm and the spacing of the links or spirals shall be not less than 150 mm. Stiffener rings preferably of 16 mm diameter at every 1.5 m centre to centre to be provided along the length of the cage for providing rigidity to reinforcement cage. Minimum 6 numbers of vertical bars shall be used for a circular pile and minimum diameter of vertical bar shall be 12 mm. The clear horizontal spacing between the adjacent vertical bars shall be four times the maximum aggregate size in concrete. If required, the bars may be bundled to maintain such spacing.

8.3.4 Additional provision for prestressed concrete piles shall be as per good practice [6-2(25)].

8.3.5 For detailed information regarding casting and curing, storing and handling, control of pile driving and recording of data, reference shall be made to good practice [6-2(25)].

8.3.6 *Non-Destructive Testing*

For quality assurance of concrete piles, non-destructive integrity test may be carried out prior to laying of beam/caps, in accordance with good practice [6-2(24)].

8.4 Precast Concrete Piles in Prebored Holes

8.4.1 Provisions of **8.3** except **8.3.3** shall generally apply.

8.4.2 *Handling Equipment for Lowering and Grouting Plant*

Handling equipment such as crane, scotch derricks, movable gantry may be used for handling and lowering the precast piles in the bore. The choice of equipment will depend upon length, mass and other practical requirements.

The mixing of the grout shall be carried out in any suitable high speed colloidal mixer. Normally the colloidal mixer is adequate to fill the annular space with grouts. Where this is not possible, a suitable grout pump shall be used.

8.4.3 *Reinforcement*

8.4.3.1 The design of the reinforcing cage varies depending upon the handling and installation conditions, the nature of the subsoil and the nature of load to be transmitted by the shaft - axial, or otherwise. The minimum area of longitudinal reinforcement of any type or grade within the pile shaft shall be 0.4 percent of the cross-sectional area of the pile shaft or as required to cater for handling stresses (see **8.3.2.5**), whichever

is greater. The minimum reinforcement shall be provided throughout the length of the shaft.

8.4.3.2 Piles shall always be reinforced with a minimum amount of reinforcement as dowels keeping the minimum bond length into the pile shaft below its cut-off level and with adequate projection into the pile cap, irrespective of design requirements.

8.4.3.3 Clear cover to all main reinforcement in pile shaft shall be not less than 50 mm. The laterals of a reinforcing cage may be in the form of links or spirals. The diameter and spacing of the same is chosen to impart adequate rigidity of the reinforcing cage during its handing and installations. The minimum diameter of the links or spirals shall be 8 mm and the spacing of the links or spirals shall be not less than 150 mm. Stiffener rings preferably of 16 mm diameter at every 1.5 m centre to centre to be provided along length of the cage for providing rigidity to reinforcement cage. Minimum 6 numbers of vertical bars shall be used for a circular pile and minimum diameter of vertical bar shall be 12 mm. The clear horizontal spacing between the adjacent vertical bars shall be four times the maximum aggregate size in concrete. If required, the bars may be bundled to maintain such spacing.

8.4.3.4 A thin gauge sheathing pipe of approximately 40 mm diameter may be attached to the reinforcement cage, in case of solid piles, to form the central duct for pumping grout to the bottom of the bore. The bottom end of the pile shall have proper arrangements for flushing/cleaning for grouting. Air lift technique may be used for cleaning the borehole, however this technique should be used carefully in case of silty and sandy soil.

8.4.4 For detailed information regarding casting and curing, storing and handling, control of pile installation and recording of data, reference shall be made to good practice [6-2(26)].

8.4.5 *Non-Destructive Testing*

For quality assurance of concrete piles, non-destructive integrity test may be carried out prior to laying of beam/caps, in accordance with good practice [6-2(24)].

8.5 Under-Reamed Piles

8.5.1 *General*

Under-reamed piles are bored cast *in-situ* and bored compaction concrete types having one or more bulbs formed by enlarging the borehole for the pile stem. These piles are suited for expansive soils which are often subjected to considerable ground movements due to seasonal moisture variations. These also find wide application in other soil strata where economics are favorable. When the ground consists of expansive soil, for example black cotton soils, the bulb of under-reamed pile provide anchorage against uplift due to swelling pressure, apart from the increased bearing, provided topmost bulb is formed close to or just below the bottom of active zone. Negative slopes may not be stable in certain strata conditions, for example, in pure sands (clean sands with fines less than five per cent) and very soft clayey strata having N of SPT less than 2 (undrained shear strength of less than 12.5 kN/m²). Hence

formation of bulb(s) in such strata is not advisable. In subsoil strata above water table, the maximum number of bulbs in under-reamed pile should be restricted to four. In the strata such as clay, silty clay and clayey silt with high water table where sides of bore hole stand by itself without needing any stabilization by using drilling mud or otherwise, the maximum number of bulbs in under-reamed piles should be restricted to two. In strata for example clayey sand, silty sand and sandy silt with high water table where bore hole needs stabilization by using drilling mud, under-reamed piles with more than one bulb shall not be used. In loose to medium pervious strata such as clayey sand, silty sand and sandy silt strata, compaction under-reamed piles may be used as the process of compaction increases the load carrying capacity of piles. From practical considerations, under-reamed piles of more than 10 m depth shall not be used without ensuring their construction feasibility and load carrying capacity by initial load tests in advance. In view of additional anchorage available with the provision of bulbs, under-reamed piles can be used with advantage to resist uplift loads.

8.5.2 Materials

Provisions of **8.2.2** shall generally apply.

8.5.3 Design Considerations

8.5.3.1 General

Under-reamed pile foundation shall be designed in such a way that the load from the structure they support can be transmitted to the soil without causing failure of soil or failure of pile material and without causing settlement (differential or total) which may result in structural damage and/or functional distress under permanent/transient loading. The pile shaft should have adequate structural capacity to withstand all loads (vertical compression, uplift, lateral) and moments which are to be transmitted to the subsoil and shall be designed according to [6-2(36)].

8.5.3.1.1 In expansive soils, the minimum length of piles shall be 3.5 m below ground level. In case of expansive soil deposits of shallow depth overlying non-expansive competent strata or rock, piles of shorter length can also be provided.

However, in case of high to very high expansive soils, due care shall be taken to establish the minimum depth of pile with the top-most (first) bulb located below the level of significant moisture variations/active zone.

8.5.3.1.2 The diameter of under-reamed bulbs may vary from 2 to 2.5 times shaft diameter depending upon the feasibility of construction and design requirements. In bored cast *in-situ* under-reamed piles and under-reamed bored compaction piles, the bulb diameter shall be normally 2.5 and 2 times the shaft diameter, respectively.

8.5.3.1.3 The spacing of bulbs should not be less than 1.5 times the diameter of bulb.

8.5.3.1.4 The first bulb should be at a minimum depth of 2 times the bulb diameter below ground level or cut-off level, whichever is lower.

8.5.3.1.5 Under-reamed piles with more than two bulbs are not advisable without ensuring their feasibility in strata needing stabilization of boreholes by drilling mud. The number of bulbs in case of under-reamed bored compaction piles should not exceed two in such strata.

8.5.3.1.6 The minimum diameter of pile shaft shall be 250 mm. However, in case of strata/ground water consisting of excessive chemicals such as sulphates and chlorides, or piles with tremie concreting, the minimum diameter of the pile shaft shall be 300 mm.

8.5.3.1.7 Under-reamed batter piles in dry soil conditions can be constructed with batter not exceeding 15° .

8.5.3.1.8 The construction feasibility of under-ream/ bulb should be examined as per soil characteristics, particularly in case of clean/river sands.

8.5.3.1.9 For guidance, typical details of bored cast *in-situ* under-reamed pile foundations are shown in Fig. 7.

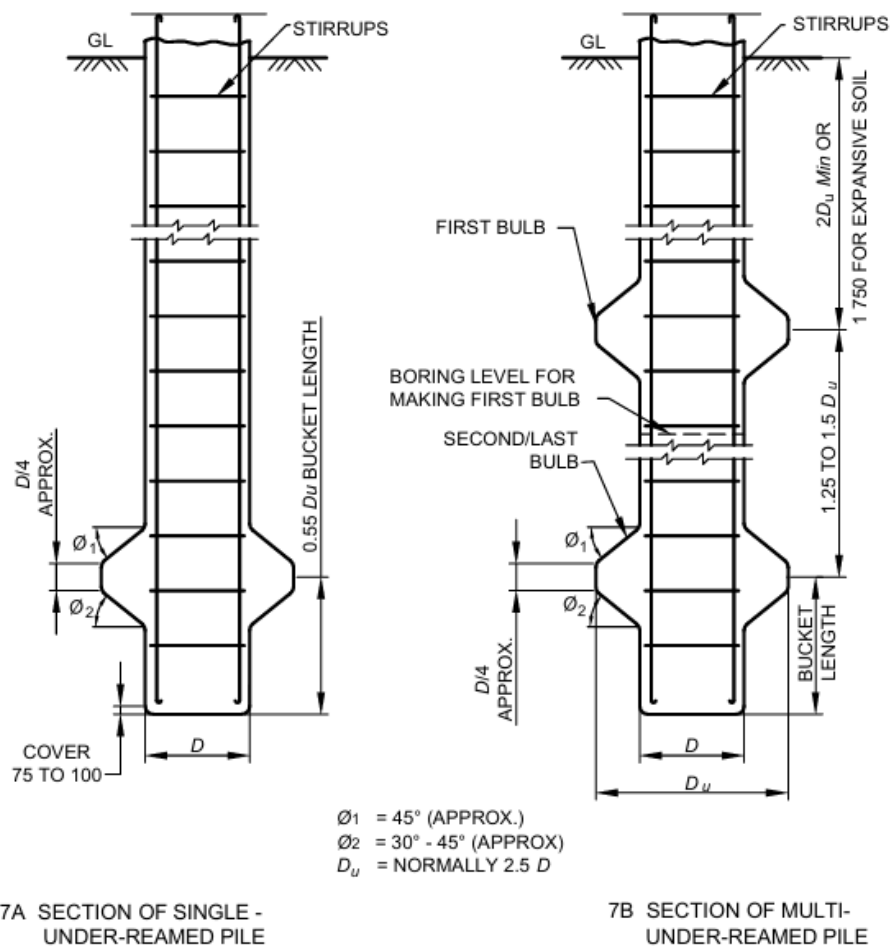


FIG. 7 TYPICAL DETAILS OF BORED CAST *IN-SITU* UNDER-REAMED PILE FOUNDATION**8.5.3.2 Safe Load**

Safe load on a pile can be determined,

- a) by calculating the ultimate load from soil properties and applying a suitable factor of safety as given in Annex J;
- b) by load test on pile as good practice [6-2(20)]; and
- c) from safe load tables.

8.5.3.2.1 Load test

Provisions of **8.2.3.3.1.3** shall generally apply.

8.5.3.2.2 In the absence of detailed subsoil investigations and pile load tests for minor and less important structures, a rough estimate of safe load on piles may be made from the safe load table given in the good practice [6-2(27)].

NOTE — Safe loads as given in the above referred Table are symptomatic. Safe load carrying capacity of pile shall be worked out for the actual geotechnical data using **5.2.3.1** of good practice [6-2(27)], subjected to confirmation by initial pile load test in accordance with good practice [6-2(19)] and other provisions in **5.2.3.2** of good practice [6-2(27)].

8.5.3.3 Negative Skin Friction or Dragdown Force

Provisions of **8.3.4** shall generally apply subject to the condition that the under-reamed bulb is provided below the strata susceptible to negative skin friction.

8.5.3.4 Structural Capacity

Provisions of **8.3.5** shall generally apply except that the under-reamed pile stem is designed for axial capacity as a short column. Under-reamed piles under lateral loads and moments tend to behave more as rigid piles due to the presence of bulbs and therefore the analysis can be done on rigid pile basis. Nominally reinforced long single bulb piles which are not rigid may be analyzed as per the method given in Annex G or as per other accepted methods.

8.5.3.5 Spacing

Generally, the centre to centre spacing for bored cast *in-situ* under-reamed piles in a group should be two times the bulb diameter ($2D_u$). It shall not be less than $1.5 D_u$. For under-grade beams, the maximum spacing of piles should generally not exceed 3 m. In under-reamed compaction piles, generally the spacing should not be less than $1.5 D_u$. If the adjacent piles are of different diameter, an average value of bulb diameter should be taken for spacing.

8.5.3.6 Group Efficiency

For bored cast *in-situ* under-reamed piles at a usual spacing of $2D_u$, the group efficiency will be equal to the safe load of an individual pile multiplied by the number of piles in the group. For piles at a spacing of $1.5D_u$, the safe load assigned per pile in a group should be reduced by 10 percent.

In under-reamed compaction piles, at the usual spacing of $1.5D_u$, the group capacity will be equal to the safe load on an individual pile multiplied by the number of piles in the group.

8.5.3.7 *Transient and Overloading*

Provisions of **8.2.3.9** and **8.2.3.10** shall generally apply.

8.5.3.8 *Reinforcement*

8.5.3.8.1 The minimum area of longitudinal reinforcement shall be 0.4 percent of the cross-sectional area of the pile shaft and shall be provided throughout the length.

8.5.3.8.2 The main reinforcement of the pile shall extend above cut-off level for at least the development length to be embedded into the pile cap/grade beam.

8.5.3.8.3 The minimum diameter of the rings shall be 8 mm and the spacing of the rings shall be not less than 150 mm. Stiffener rings of suitable diameter and spacing should be provided in the reinforcing cage to impart adequate rigidity to the reinforcing cage during handling and installation. Stiffener rings preferably of 12 mm diameter at every 1.5 m centre to centre spacing should be provided along the entire length of the cage. Minimum 6 numbers of vertical bars shall be used for a circular pile and minimum diameter of vertical bar shall be 12 mm. The minimum clear horizontal spacing between the adjacent vertical bars shall be four times the maximum aggregate size in concrete. If required, the bars can be bundled to maintain such spacing.

8.5.3.8.4 Clear cover to all reinforcement including rings in pile shaft shall be not less than 50 mm, which shall be increased to 75 mm in case of aggressive environment of sulphates, etc. In addition, the clear cover of the main reinforcement from the pile tip shall be 75 mm to 100 mm.

8.5.3.9 The design of pile cap and grade beams shall conform to the requirements specified in **8.2.3.12** and **8.2.3.13** respectively.

8.5.4 For detailed information on under-reamed piles regarding control of pile, installation, reference shall be made to good practice [6-2(26)].

8.5.5 *Non-Destructive Testing*

For quality assurance of concrete piles, non-destructive integrity test may be carried out prior to laying of beam/caps, in accordance with good practice [6-2(24)].

8.6 Timber Piles

8.6.1 General

Piles find application in foundations to transfer loads from a structure to competent sub-surface strata having adequate load-bearing capacity. The load transfer mechanism from a pile to the surrounding ground is complicated and is not yet fully understood, although application of pile foundations is in practice over many decades. Broadly, piles transfer axial loads either substantially by friction along its shaft and/or by the end bearing. Piles are used where either of the above load transfer mechanism is possible depending upon the subsoil stratification at a particular site. Construction of pile foundation requires a careful choice of piling system depending upon the subsoil conditions, the load characteristics of the structure and the limitations of total settlement, differential settlement and any other special requirement of a project. The installation of piles demands careful control on position, alignment and depth, and involves specialized skill and experience.

Timber piles, currently do not find extensive use in civil engineering works, however, these piles have been used for compaction of soils, for supporting and protecting water-front structures, and also as pile foundations. The choice for using a timber pile is mainly governed by the availability of good quality structural timber, site conditions, particularly the water-table conditions. Timber piles, however, should be avoided because of two reasons, (a) to preserve the environment and green vegetative cover, and (b) at most of the places in India, water table has gone down substantially which implies that the timber pile will be only partially under water, and this condition is highly undesirable for durability of timber.

Use of treated or untreated piles will depend upon the site conditions and upon whether the work is of permanent or of temporary nature. The timber pile installed should have its entire length embedded under water so that the pile may not get deteriorated. They have the advantages of being comparatively light for their strength and are easily handled. However, they will not withstand as hard driving as steel or concrete piles. Timber has to be selected carefully and treated where necessary for use as piles, as the durability and performance would considerably depend upon the quality of the material and relative freedom from natural defects. If the piles are perennially under salt water condition, treatment of timber is not necessary since by immersion in salt water the life of the pile will be very long. Timber piles are generally used for single and two storeyed structures in back water area where bearing strata is available at a depth less than 12 m. Coconut/Palmyra tree trunks have also been used as timber piles in coastal areas.

8.6.2 Materials

8.6.2.1 Timber

The timber shall have the following characteristics:

- a) Only structural timber shall be used for piles (see Part 6 'Structural Design', Section 3 'Timber and Bamboo: 3A Timber' of the Code);

- b) The length of an individual pile shall be,
 - 1) the specified length \pm 300 mm for piles up to and including 12 m in length, and
 - 2) the specified length \pm 600 mm for piles above 12 m in length.
- c) The ratio of heartwood diameter to the pile butt diameter shall be not less than 0.8; and
- d) Piles to be used untreated shall have as little sapwood as possible.

8.6.3 Design Considerations

8.6.3.1 General

Pile foundations shall be designed in such a way that the load from the structure can be transmitted to the sub-surface with adequate factor of safety against shear failure of sub-surface and without causing such settlement, (differential or total), which may result in structural damage and/or functional distress under permanent/transient loading. The pile shaft should have adequate structural capacity to withstand all loads (vertical, lateral or otherwise) which are to be transmitted to the subsoil.

8.6.3.2 Adjacent structures

When working near existing structures, care shall be taken to avoid damage to such structures. In case of deep excavations adjacent to piles, proper shoring or other suitable arrangement shall be made to guard against undesired lateral movement of soil. [6-2(19)] may be used as a guide for studying qualitatively the effect of vibration on persons and structures.

8.6.3.3 Pile capacity

See 8.2.3.3.

8.6.3.4 Structural capacity

8.6.3.4.1 The pile shall have necessary structural strength to transmit the loads imposed on it, ultimately to the soil. The structural capacity of the timber piles shall be based on the permissible compressive stress of the timber species.

8.6.3.4.2 The length of pile projected into the pile cap is critical for ensuring lateral load transfer and pull-out resistance. Effective transfer of lateral load may be possible with 100 mm to 200 mm projection into the pile cap concrete depending on the safe lateral load capacity. However, pull-out resistance that can be developed by such small penetration may be limited and the use of timber piles for resisting pull-out resistance may not be viable.

8.6.3.4.3 It is preferable to conduct an initial load test as given in [6-2(20)] to assess the axial capacity, lateral capacity and pull-out capacity of piles. For compaction piles, tests should be done on a group of piles with the cap resting on the ground. The acceptance criteria shall also be as per the provisions given in [6-2(20)]

8.6.3.5 For detailed information on timber piles regarding spacing, classification, control of pile driving, storing and handling, reference shall be made to good practice [6-2(28)].

9 DESIGN AND CONSTRUCTION OF COMBINED PILED RAFT FOUNDATIONS

9.1 General

The Combined piled raft foundation (CPRF) transmits the load to soil by resistance developed by the components of the foundation, that is, piles and raft, the raft being placed on competent ground. The piles develop resistance along the pile shaft by skin friction and at the pile tip by end bearing. The raft develops the resistance by generating the contact pressure below the raft.

CPRF shall not be used in cases where soil layers of relatively low stiffness (for example, very soft cohesive soil, organic soil, collapsible soil, liquefiable soil) are situated closely beneath the raft. Provisions of this standard shall not be applicable to layered soil with significantly high stiffness (modulus) contrast between the top and bottom layers.

9.2 Necessary Information

For satisfactory design and construction of a combined pile-raft foundation, the following information is necessary:

- a) Details of site plan showing location of proposed and adjacent structures.
- b) Details of plan and vertical cross-section of the proposed building with position of beam and columns.
- c) Different load combinations and their intensity indicating design loads, preferably shown in schematic plan.
- d) All the loads due to seismic, wind, and water current, etc indicated separately.
- e) Limiting values of performance parameters, such as allowable bearing pressure, allowable total settlement, allowable differential settlement, allowable angular distortion, that the foundation and superstructure can withstand.
- f) Information on geological history, seismicity, seasonal variation of ground water, climatic factors, for example, sudden flooding, erosion, etc.
- g) The design and construction of CPRF requires rigorous geotechnical investigations by using both field and laboratory techniques. The proper dimensioning of CPRF will purely depend up on the outcome of geotechnical investigations. The data obtained from the both the investigations, that is, preliminary investigation for feasibility study and detailed investigation for analyses and design shall be analysed by geotechnical experts.
- h) *Geotechnical Information* — Sub-surface profile with stratification details, engineering and index properties of founding media to be in accordance with accepted standard [6-2(37)] and other relevant standards which are essential for the design of CPRF system. Any supplementary investigations should be carried out to obtain additional geotechnical information for design of CPRF.
- j) *Extent of Geotechnical Investigations* — The structure and properties of the substrata and the groundwater conditions shall be known in sufficient detail for

any piled-raft construction project. This is necessary to reliably assess the stability and serviceability of the pile and piled-raft foundations and of the overall structure as required by relevant Indian Standards and to assess the effects of foundations on their surroundings. The geotechnical investigations shall extend to sufficient depth below pile tip to record all ground formations and strata influencing the structure and its execution, and to identify the load-bearing and deformation properties of the ground. The geotechnical investigations shall be in accordance with accepted standard [6-2(37)].

- k) The geotechnical investigation report and the geotechnical design report, respectively, shall contain all relevant data that can affect CPRF capacity, choice of the execution method and the pile installation. Design soil parameters shall be derived for the CPRF system. The ground information and the parameters related not only to pile capacity, but also to drilling ability, drivability, etc shall be provided.
- m) The results of field test on single piles (both ultimate capacity and load-displacement curve). Static test as initial test can be used for design of CPRF, whereas dynamic test is not essential for CPRF design. Dynamic test may be used for additional check, if necessary, on later stage, but not directly related to CPRF design.
- n) Dynamic properties of founding media to be taken from geotechnical investigation report.
- p) A review of performance of CPRF in similar locality or ground conditions, if available.

9.3 Design Considerations for Static Load

9.3.1 General Design Considerations

9.3.1.1 The design of CPRF should consider the following criteria:

- a) Fluctuation in the water table condition and long-term stability of the bearing strata;
- b) Consideration for handling sensitive clays and loose bearing soils;
- c) Effect of soil excavations;
- d) The soil stratigraphy shall be considered when calculating pile responses in the CPRF system;
- e) Differential movement of the foundations between the old and new structures;
- f) Wherever possible, the centre area of the foundation should be located directly beneath the centre of gravity of the imposed load or else effect of eccentricity should be considered;
- g) The load carrying capacity of the combined system subjected to vertical, lateral and moment loadings, total and differential settlement;
- h) Some of the key design considerations are,
 - 1) Load carrying capacity of the combined system at the desired settlement level for vertical, lateral and moment loadings;
 - 2) Maximum settlement;
 - 3) Differential settlement;
 - 4) Raft moments and shears for the structural design of the raft; and
 - 5) Pile loads and moments, for the structural design of the piles.

9.3.2 Stages of CPRF Design

9.3.2.1 The three main stages of CPRF design are,

- a) *Preliminary Stage (Feasibility Study)* — Assessment of the performance of raft without piles that includes estimation of vertical and lateral bearing capacity and the settlements. Assessment of the feasibility of using a pile raft and the required number of piles to satisfy the design requirement.
- b) *General Pile Characteristics (Preliminary Design Stage)* — Pile should be designed for the combined resistances.
- c) *Final Detailed Design* — Final detailed design to obtain the number of piles, location and configuration, settlement, bending moment and shear forces in raft and the pile loads and moments.

9.3.3 Design Steps

Design philosophy is illustrated in Fig. 4 and the subsequent design steps to be followed are given in 9.3.3.1 to 9.3.3.5, 9.3.4 and 9.3.5.

9.3.3.1 The static pile formula based on the ground parameters of good practice [6-2(38)] can be used for estimation of ultimate load capacity of piles. The provision made in good practice [6-2(39)] as applicable should be followed for the design and construction of piles unless otherwise stated. The procedure for pile load testing should be as per good practice [6-2(20)]. Information obtained (load-settlement response) from pile load test shall be interpreted by geotechnical engineer to arrive at the allowable load with reference to a particular settlement. Pile loads and moment for the structural design of the piles should be considered.

9.3.3.2 The stability and capacity of raft based on the ground parameters as per good practice [6-2(11)] and [6-2(40)] can be estimated. The provision made in good practice [6-2(40)] should be followed for the design and construction of raft foundation unless otherwise stated. For estimation of raft settlement, the guidance given in good practice [6-2(14)] may be used. However, the calculation of settlement for entire CPRF system will be different as described in subsequent section of this standard. Raft moment and shear forces for structural design of raft should be considered.

9.3.3.3 The following are the design philosophies:

- a) *Conventional Approach* — Piles are designed as a group while making some allowances for contribution of the raft, primarily to load carrying capacity.
- b) *Settlement Control Approach* — Piles are placed strategically below the raft in order to reduce the total and differential settlement. However differential settlement reduction is more important than to reduce the overall average settlement.

- c) *Creep Piling Approach* — Piles are designed to operate at a working load at which significant creep starts to occur at some fraction, typically 70-80 percent, of the ultimate load capacity.

9.3.3.3.1 For CPRF, the design philosophy is generally governed by settlement control approach to meet the serviceability criteria.

9.3.3.4 The vertical load carrying capacity (Q_{CPRF}) of CPRF should be calculated as per Annex K.

9.3.3.5 Dimensionless factors for CPRF design with practical range of parameters are given in Table 6. This guideline should ensure the complete behavioural mechanism of CPRF system.

Table 6 Dimensionless Factors for Combined Piled Raft Foundations
(Clause 9.3.3.5)

SI No.	Dimensionless Factors	Definition	Practical Range
(1)	(2)	(3)	(4)
i)	Pile slenderness ratio	L_p/D_p	10 – 100
ii)	Pile spacing ratio	S_p/D_p	2.5 – 8
iii)	Pile-soil stiffness ratio	$K_{ps} = E_p/E_s$	100 – 10 000
iv)	Raft plan aspect ratio	L_r/B_r	1 – 10
v)	Raft-soil stiffness ratio	$K_{rs} = \frac{4E_r B_r t_r^3 (1 - \vartheta_s^2)}{3\pi E_s L_r^4 (1 - \vartheta_r^2)}$	0.001 – 10

where

L_p = length of the pile;

D_p = diameter of the pile;

S_p = spacing between the piles;

E_p = elastic modulus of pile material;

E_r = elastic modulus of raft material; E_s = elastic modulus of soil;

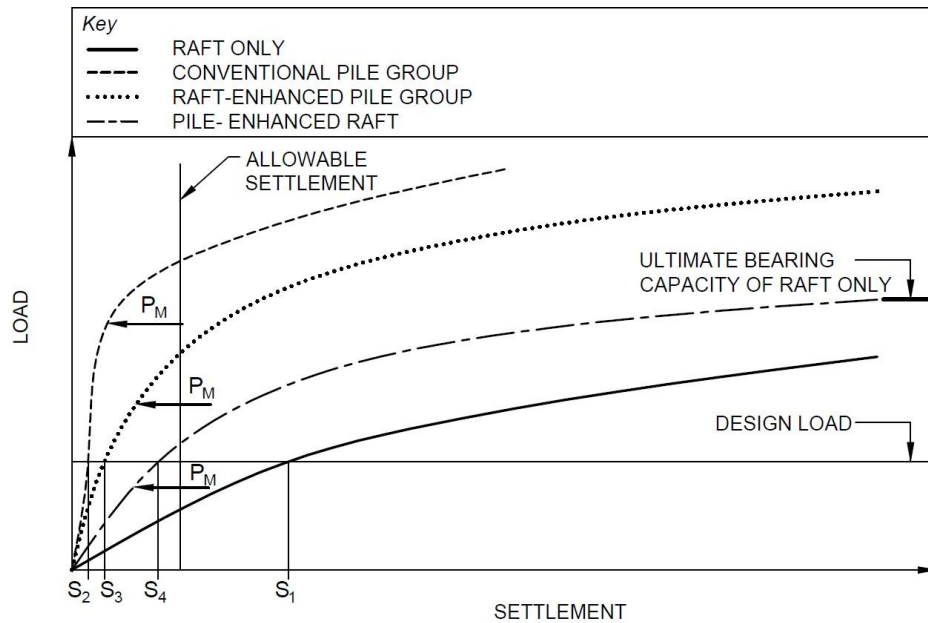
L_r = length of the raft;

B_r = width of the raft;

t_r = thickness of raft;

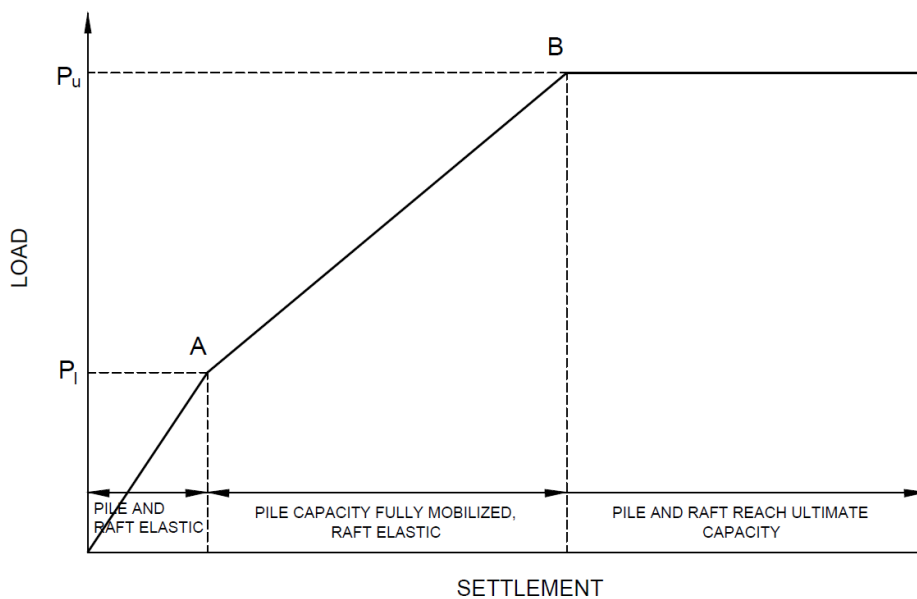
ϑ_s = Poisson's ratio of soil; and

ϑ_r = Poisson's ratio of raft material.



where
 P_M = Pile capacity fully mobilized; and
 S_1, S_2 , etc = Settlement for raft, pile group, etc

8A LOAD-SETTLEMENT BEHAVIOUR OF RAFTS, CONVENTIONAL PILE GROUPS AND DIFFERENT TYPES OF CPRF



8B SIMPLIFIED LOAD SETTLEMENT CURVE OF A CPRF

FIG. 8 LOAD-SETTLEMENT BEHAVIOUR OF A CPRF

9.3.4 Computational Model

Analysis of CPRF shall be performed using computational model which will be able to simulate the appropriate behaviour of single pile. Later from the actual field test results on single pile, the computational model needs to be revised. The computational model

shall capture all the interactions as mentioned in Fig. 9A. Also, the superstructure effect shall be considered appropriately as shown in Fig. 9A. The two features of estimating the stiffness of soil-pile-raft system are through estimation of pile spring stiffness and raft-soil spring stiffness. The iterative process of convergence of pile and raft response (if implicit) will only come after that. Figure 9 presents the design model of CPRF system considering soil-pile-raft stiffness. Different values of pile stiffness can occur within a group of piles, depending on their position and on the relative stiffness of the raft.

9.3.4.1 Estimation of pile spring stiffness

Stiffness of spring representing the pile shall be estimated by dividing the load carried by pile top element in respective direction with the corresponding top displacement of the pile.

$$\text{Pile spring stiffness, } K_p = \frac{\text{Normal contact force at nodes}}{\text{Nodal displacement}}$$

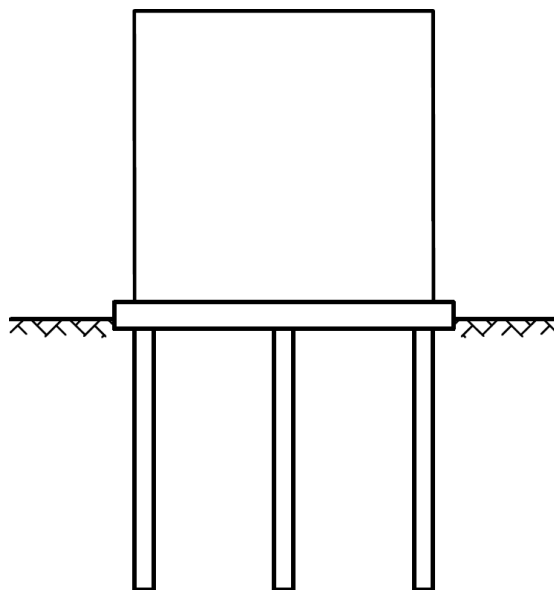
9.3.4.2 Estimation of raft-soil spring stiffness

The soil spring stiffness shall be estimated from the load deformation behaviour of the founding medium as given below:

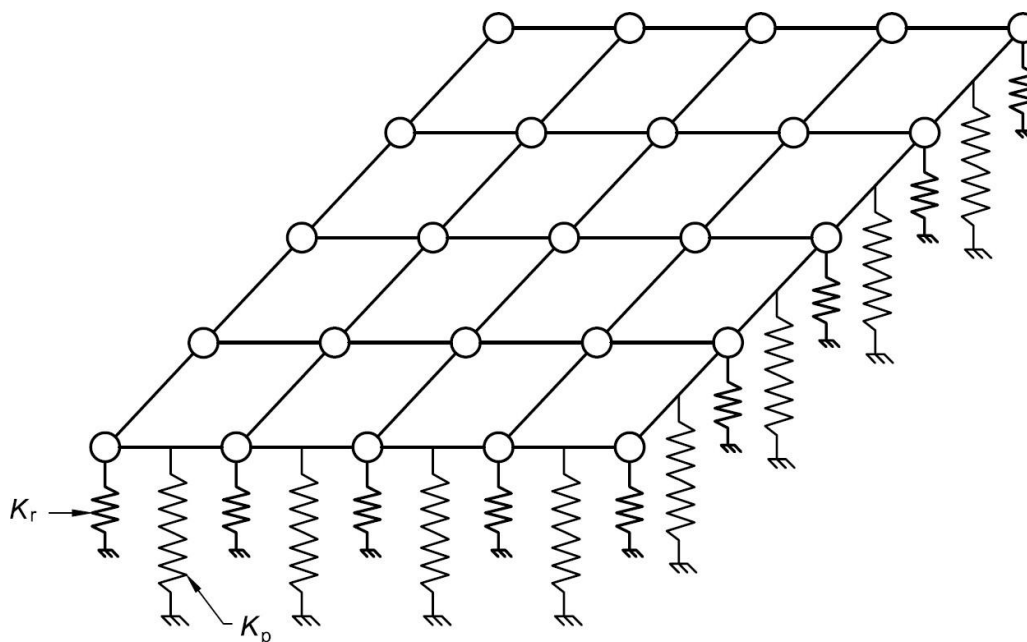
$$\text{Raft-soil Spring stiffness, } K_r = \frac{\text{Normal contact force at nodes}}{\text{Nodal displacement}}$$

9.3.5 Allowable Settlement for Static Design Consideration

For CPRF system, total settlement under gravity load should be restricted within 125 mm and the maximum angular distortion of raft as 1/500. There are four angular distortions (θ_L , θ_{IL} , θ_B and θ_{IB}) and maximum of these four angular distortions will govern CPRF design for Serviceability Limit State (SLS). The total settlement under gravity load may be taken only as a guide and the permissible total settlement should be decided as per serviceability criteria to fulfil the load sharing mechanism of CPRF system.



9A RAFT-PILE-SOIL IN A CPRF



9B PILE AND RAFT-SOIL SPRINGS

FIG. 9 COMBINED ACTION OF SOIL-PILE SYSTEM (TYPICAL DESIGN MODEL)

9.4 Proof of Design and Construction of a CPRF

The examination of the design and the construction of a CPRF with respect to the geotechnical engineering aspects should be controlled by a geotechnical expert particularly qualified on this subject. This includes the construction for piles and deciding the foundation level. The protocols of the acceptance procedure and the measured values have to be included into the examination. The following aspects shall be considered:

- a) Critical review of the soil investigation report (field and laboratory tests), including the selection of input parameters;
- b) Evaluation of the computational model used for the design of the CPRF and the computation results by using independent comparative calculations. Apart from the independent comparative calculations, additional quality assurance measures in design should be ensured;
- c) Assessment of the effects on the adjacent structures; and
- d) Examination of the field monitoring (measuring) program within the construction process of the CPRF.

9.5 Monitoring of a CPRF

The load-settlement behaviour and the load transfer within a CPRF should be monitored for further use by a geotechnical expert. The monitoring comprises of geotechnical and geodetic measurements at the new building and also at the adjacent buildings for settlement. The monitoring of the contact pressure at the level of raft, axial load in selected piles, settlement at the level of raft, ground water table and pore-pressure may be adopted for important projects. The monitoring of a CPRF is an elementary and indispensable component of the safety concept and should be used for the following purposes:

- a) Observational method should be followed for monitoring of the response of CPRF both during and post construction phases for projects of high importance;
- b) Verification of the computational model and the computational approaches;
- c) Detection of possible critical conditions in CPRF system;
- d) Examination of the quality assurance during the construction and post construction process; and
- e) Examination of distribution of loads may be implemented on piles in centre and edges to capture soil-pile-raft interactions.

The monitoring program should be designed by a geotechnical expert during the design phase depending on importance of the project, complexity of the ground condition and long-term performance. Summary of desired instrumentations and their locations should be highlighted in plan as well as sectional view of the foundation layout.

9.6 Structural Design

The general provision for load, shrinkage, creep and temperature effects and provision of design, reinforcement and detailing shall conform to good practice [6-2(36)] and other relevant standards.

9.7 Seismic Design

Design of the CPRF system considering the seismicity of the ground and entire structure and sub-structural system should be handled by experts to ensure conformity to various relevant standards. Both inertial and kinematic effects should be considered in the seismic design.

10 OTHER FOUNDATIONS, SUBSTRUCTURES AND FOUNDATIONS FOR SPECIAL STRUCTURES

10.1 Pier Foundations

10.1.1 Design Considerations

10.1.1.1 General

The design of concrete piers shall conform to the requirements for columns specified in Part 6 'Structural Design', Section 5 'Concrete' of the Code. If the bottom of the pier is to be belled so as to increase its load carrying capacity, such bell shall be at least 300 mm thick at its edge. The sides shall slope at an angle of not less than 60° with the horizontal. The least permissible dimensions shall be 600 mm, irrespective of the pier being circular, square or rectangular. Piers of smaller dimensions if permitted shall be designed as piles (see 8).

10.1.1.2 Plain concrete piers

The height of the pier shall not exceed 6 times the least lateral dimension. When the height exceeds 6 times the least lateral dimension, buckling effect shall be taken into account, but in no case shall the height exceed 12 times the least lateral dimension.

When the height exceeds 6 times the least lateral dimension, the deduction in allowable stress shall be given by the following formula:

$$f'_c = f_c \left(1.3 - \frac{H}{20D} \right)$$

where

f'_c	=	reduced allowable stress,
f_c	=	allowable stress,
H	=	height of pier, and
D	=	least lateral dimension.

NOTE – The above provision shall not apply for piers where the least lateral dimension is 1.8 m or greater.

10.1.1.3 Reinforced concrete piers

When the height of the pier exceeds 18 times its least dimension, the maximum load shall not exceed:

$$P' = P \left(1.5 - \frac{H}{36D} \right)$$

where

P'	=	permissible load ;
P	=	permissible load when calculated as axially loaded short column;
H	=	height of the pier measured from top of bell, if any, to the level of cut-off of pier; and
D	=	least lateral dimension.

10.2 Design and construction of machine foundations, diaphragm walls, etc, shall be carried out in accordance with good practice [6-2(29)].

11 GROUND IMPROVEMENT

11.1 In poor and weak subsoils, the design of conventional foundation for structures and equipment may present problems with respect to both sizing of foundation as well as control of foundation settlements. A viable alternative in certain situations, is to improve the subsoil to an extent such that the subsoil would develop an adequate bearing capacity and foundations constructed after subsoil improvement would have resultant settlements within acceptance limits. This method/technique is called ground improvement which is used to improve *in-situ* soil characteristics by improving its engineering performance as per the project requirement by altering its natural state, instead of having to alter the design in response to the existing ground limitations. The improvement is in terms of increase in bearing capacity, shear strength, reducing settlement and enhancing drainage facility, mitigating liquefaction potential, etc, of soil, as also in improving lateral capacity in case of deep foundations.

11.2 For provisions with regard to necessary data to be collected to establish the need for ground improvement at a site; considerations for establishing need for ground improvement methods; selection of ground improvement techniques; equipment and accessories for ground improvement; control of ground improvement works and recording of data, reference shall be made to good practice [6-2(30)]. Annex M presents various methods of ground improvement along with principles, applicability to various soil conditions, material requirements, equipment required, results likely to be achieved and limitations. This table may be referred to as guidance for selecting the proper method for a situation. See *also* good practice [6-2(30)] for details.

11.2.1 For provisions relating to ground improvement by reinforcing the ground using stone columns so as to meet the twin objective of increasing the bearing capacity with simultaneous reduction of settlements, reference shall be made to good practice [6-2(31)].

11.2.2 Whenever soft cohesive soil strata underlying a structure are unable to meet the basic requirements of safe bearing capacity and tolerable settlement, ground improvement is adopted to make it suitable for supporting the proposed structure. Both the design requirements that is shear strength and settlement under loading, can be fulfilled by consolidating the soil by applying a preload, if necessary, before the construction of the foundation. This consolidation of soil is normally accelerated with the use of vertical drains. For provisions relating to ground improvement by preconsolidation using vertical drains, reference shall be made to good practice [6-2(32)].

11.2.3 Use of suitable geo-synthetics/geo-textiles may be made in an approved manner for ground improvement, where applicable; see *also* accepted standards [6-2(33)].

12 GEOTECHNICAL INSTRUMENTATION

12.1 Geotechnical instrumentation is essential for monitoring the behaviour of soil, rock, and structures in civil engineering projects, ensuring safety and design performance. A variety of instruments are deployed at specific locations, where they can provide critical data for various purposes. The data gathered from these instruments allows engineers to assess risks, verify design assumptions, and implement corrective actions if necessary.

The typical list of geotechnical instruments, but not limited to these, along with their objectives, is provided in Table 7.

Table 7 Typical List of Geotechnical Instrumentation
(Clause 12.1)

Sl. No.	Instrumentation	Objective	Applicable for
(1)	(2)	(3)	(4)
i)	Inclinometers	Measurement of lateral deflections	Deflection monitoring of deep excavations, shoring systems, landslide/slope movements, lateral load test on piles
ii)	Piezometers	Measurement of underground water pressure (pore water pressure)	To monitor groundwater conditions
iii)	Vibration Monitors (Seismographs)	To monitor vibrations due to various construction activities	Monitoring of adjacent critical structures during general construction, demolition, pile driving, blasting etc.
iv)	Strain gauges	To measure strain in structural elements	Strain (force) measurement in pile foundations, struts
v)	Load Cells	To measure loads in various structural elements	Load measurement in rock bolts, foundation anchors, struts, pile foundation during load testing
vi)	Pressure Pads/Pressure cells	monitoring long-term pressure imposed by soil on the foundation element	For embankments, rafts, retaining walls,
vii)	Extensometer	Deformation measurement	Measurement of deformation of soil, rock, or can be used during testing of pile foundation to

Sl. No.	Instrumentation	Objective	Applicable for
(1)	(2)	(3)	(4)
			measure deformation of piles at various levels
viii)	Permanent settlement markers	Settlement monitoring	Can be used for monitoring of settlement/ deflections of various structures such as raft, retaining system, slopes, etc.
ix)	Crackmeters	Measure displacement	To measure plate displacement during bi-directional static load test (BDSLTL)

ANNEX A
(Clauses 7.4.1.11 and B-3.3)

**DETERMINATION OF MODULUS OF ELASTICITY (E_s) AND
POISSON'S RATIO (μ)**

A-1 DETERMINATION OF MODULUS OF ELASTICITY (E_s)

The modulus of elasticity is a function of composition of the soil, its void ratio, stress history and loading rate. In granular soils it is a function of the depth of the strata, while in cohesive soil it is markedly influenced by the moisture content. Due to its great sensitivity to sampling disturbance, accurate evaluation of the modulus in the laboratory is extremely difficult. For general cases, therefore, determination of the modulus may be based on field tests (see **A-2**). Where properly equipped laboratory and sampling facility is available, E_s may be determined in the laboratory (see **A-3**).

A-2 FIELD DETERMINATION

A-2.1 The value of E_s shall be determined from plate load test in accordance with good practice [6-2(12)].

$$E_s = qB \frac{(1 - \mu^2)}{s} I_w$$

where

- q = intensity of contact pressure,
- B = least lateral dimension of test plate,
- s = settlement,
- μ = Poisson's ratio, and
- I_w = influence ratio
 - = 0.82 for a square plate,
 - = 1.00 for a circular plate.

NOTE — While this procedure may be adequate for light or less important structures under normal conditions, relevant laboratory tests or field tests are essential in the case of unusual soil types and for all heavy and important structures. Plate load test, though useful in obtaining the necessary information about the soil with particular reference to design of foundation has some limitations. The test results reflect only the character of the soil located within a depth of less than twice the width of the bearing plate. Since the foundations are generally larger than the test plates, the settlement and shear resistance will depend on the properties of a much thicker stratum. Moreover, this method does not give the ultimate settlements particularly in case of cohesive soils. Thus the results of the test are likely to be misleading, if the character of the soil changes at shallow depths, which is not uncommon. A satisfactory load test should, therefore, include adequate soil exploration {see good practice [6-2(2)]} with due attention being paid to any weaker stratum below the level of the footing. Another limitation is the concerning of the effect of size of foundation. For clayey soils the bearing capacity (from shear consideration) for a larger foundation is almost the same as that for the smaller test plate. But in dense sandy soils the bearing capacity increases with the size of the foundation. Thus, tests with smaller size plate tend to give conservative values in dense sandy soils. It may, therefore, be necessary to test with plates of at least three sizes and the bearing capacity results

extrapolated for the size of the actual foundation (minimum dimensions in the case of rectangular footings).

A-2.1.1 The average value of E_s shall be based on a number of plate load tests carried out over the area, the number and location of the tests, depending upon the extent and importance of the structure.

A-2.1.2 Effect of Size

In granular soils the value of E_s corresponding to the size of the raft shall be determined as follows :

$$E_s = E_p \frac{B_f}{B_p} \left[\frac{B_f + B_p}{2B_f} \right]^2$$

Where B_f , B_p represent sizes of foundation and plate and E_p is the modulus determined by the plate load test.

A-2.2 For stratified deposits or deposits with lenses of different materials, results of plate load test will be unreliable and static cone penetration tests may be carried out to determine E_s .

A-2.2.1 Static cone penetration tests shall be carried out in accordance with accepted standard [6-2(21)]. Several tests shall be carried out at regular depth intervals up to a depth equal to the width of the raft and the results plotted to obtain an average value of E_s .

A-2.2.2 The value of E_s may be determined from the following relationship :

$$E_s = 2 C_{kd}$$

where

C_{kd} = cone resistance, in kN/m².

A-3 LABORATORY DETERMINATION OF E_s

A-3.1 The value of E_s shall be determined by conducting triaxial test in the laboratory in accordance with accepted standard [6-2(34)] on samples collected with least disturbances.

A-3.2 In the first phase of the triaxial test, the specimen shall be allowed to consolidate fully under an all-round confining pressure equal to the vertical effective overburden stress for the specimen in the field. In the second phase, after equilibrium has been reached, further drainage shall be prevented and the deviator stress shall be increased from zero value to the magnitude estimated for the field loading condition. The deviator stress shall then be reduced to zero and the cycle of loading shall be repeated.

A-3.3 The value of E_s shall be taken as the tangent modulus at the stress level equal to one-half the maximum deviator stress applied during the second cycle of loading.

ANNEX B
(Clauses 3.4.18.1 and 7.4.1.11)

DETERMINATION OF MODULUS OF SUBGRADE REACTION

B-1 GENERAL

The modulus of subgrade reaction (k) as applicable to the case of load through a plate of size 300 mm x 300 mm or beams 300 mm wide on the soils is given in Table 8 for cohesionless soils and in Table 9 for cohesive soils. Unless more specific determination of k is done (see **B-2** and **B-3**), these value may be used for design of raft foundation in cases where the depth of the soil affected by the width of the footing may be considered isotropic and the extra-polation of plate load test results is valid.

Table 8 Modulus of Subgrade Reaction (k) for Cohesionless Soils
(Clause B-1)

SI No.	Soil Characteristic		Modulus of Subgrade Reaction (k) ¹⁾ kN/m ³	
	Relative Density	Standard Penetration Test Value (N) (Blows per 300 mm)	For Dry or Moist State	For Submerged State
(1)	(2)	(3)	(4)	(5)
i)	Loose	< 10	15 000	9 000
ii)	Medium	10 to 30	15 000 to 47 000	9 000 to 29 000
iii)	Dense	30 and over	47 000 to 180 000	29 000 to 108 000

¹⁾ The above values apply to a square plate 300 mm x 300 mm or beams 300 mm wide.

Table 9 Modulus of Subgrade Reaction (k) for Cohesive Soils
(Clause B-1)

SI No.	Soil Characteristic		Modulus of Subgrade Reaction (k) ¹⁾ kN/m ³
	Consistency	Unconfined Compressive Strength kN/m ²	
(1)	(2)	(3)	(4)
i)	Stiff	100 to 200	27 000
ii)	Very stiff	200 to 400	27 000 to 54 000
iii)	Hard	400 and over	54 000 to 108 000

1) The values apply to a square plate 300 mm x 300 mm. The above values are based on the assumption that the average loading intensity does not exceed half the ultimate bearing capacity.

B-2 FIELD DETERMINATION

B-2.1 In cases where the depth of the soil affected by the width of the footing may be considered as isotropic, the value of k may be determined in accordance with accepted standard [6-2(35)]. The test shall be carried out with a plate of size not less than 300 mm.

B-2.2 The average value of k shall be based on a number of plate load tests carried out over the area, the number and location of the tests depending upon the extent and importance of the structure.

B-3 LABORATORY DETERMINATION

B-3.1 For stratified deposits or deposits with lenses of different materials, evaluation of k from plate load test will be unrealistic and its determination shall be based on laboratory tests [see {6-2(4)}].

B-3.2 In carrying out the test, the continuing cell pressure may be so selected as to be representative of the depth of the average stress influence zone (about 0.5 B to B).

B-3.3 The value of k shall be determined from the following relationship:

$$k = 0.65 \times \sqrt[12]{\left(\frac{E_s B^4}{EI}\right)} \cdot \frac{E_s}{(1 - \mu^2)} \cdot \frac{1}{B}$$

where

E_s = modulus of elasticity of soil (see Annex A),
 E = Young's modulus of foundation material,
 μ = Poisson's ratio of soil,
 I = moment of inertia of the foundation, and
 B = width of the footing.

B-4 CALCULATIONS

When the structure is rigid (see Annex C), the average modulus of subgrade reaction may also be determined as follows:

$$k_s = \frac{\text{Average contact pressure}}{\text{Average settlement of the raft}}$$

ANNEX C
(Clauses 7.4.4.1, 7.4.4.2 and B-4)

RIGIDITY OF SUPERSTRUCTURE AND FOUNDATION

C-1 DETERMINATION OF THE RIGIDITY OF THE STRUCTURE

The flexural rigidity EI of the structure of any section may be estimated according to the relation given below (see also Fig. 10)

$$EI = \frac{E_1 I_i b^2}{2H^2} + \sum E_2 I_b \left[1 + \frac{(I_u' + I_1') b^2}{(I_b' + I_u' + I_f') l^2} \right]$$

where

E_1 = modulus of elasticity of the infilling material (wall material), in kN/m²;

I_i = moment of inertia of the infilling, in m⁴;

b = length or breadth of the structure in the direction of bending, in m;

H = total height of the infilling, in m;

E_2 = modulus of elasticity of the frame material, in kN/m²;

I_b = moment of inertia of the beam, in m⁴;

$$I_u' = \frac{I_u}{h_u};$$

$$I_1' = \frac{I_1}{h_1};$$

$$I_b' = \frac{I_b}{l};$$

l = spacing of the columns, in m;

h_u = length of the upper column, in m;

h_1 = length of the lower column, in m;

$$I_f' = \frac{I_f}{l};$$

I_u = moment of inertia of the upper column, in m⁴;

I_1 = moment of inertia of the lower column, in m⁴; and

I_f = moment of inertia of the foundation beam or raft in m⁴.

NOTE — The summation is to be done over all the storeys including the foundation beam or raft. In the case of the foundation, I_f' replaces I_b' and l becomes zero, whereas for the topmost beam I_u' becomes zero.

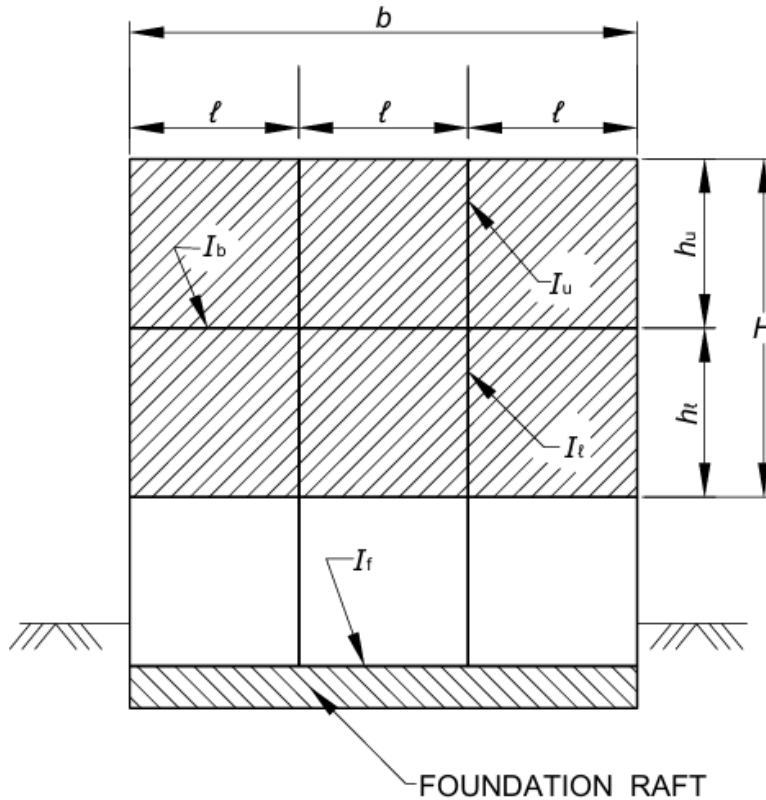


FIG.10 DETERMINATION OF RIGIDITY OF STRUCTURE

C-2 RELATIVE STIFFNESS FACTOR, K

C-2.1 Whether a structure behaves as rigid or flexible depends on the relative stiffness of the structure and the foundation soil. This relation is expressed by the relative stiffness factor K given below :

a) For the whole structure,
$$K = \frac{EI}{E_s b^3 a}$$

b) For rectangular rafts,
$$K = \frac{E}{12E_s} \left(\frac{d}{b} \right)^3$$

c) For circular rafts,
$$K = \frac{E}{12E_s} \left(\frac{d}{2R} \right)^3$$

where

EI = flexural rigidity of the structure over the length (a), in kN/m^2 ;
 E_s = modulus of compressibility of the foundation soil, in kN/m^2 ;
 b = length of the section in the bending axis, in m;
 a = length perpendicular to the section under investigation, in m;
 d = thickness of the raft or beam, in m; and
 R = radius of the raft, in m.

C-2.1.1 For $K > 0.5$, the foundation may be considered as rigid [see **7.4.4.1 (a)**].

C-3 DETERMINATION OF CRITICAL COLUMN SPACING

Evaluation of the characteristics λ is made as follows :

$$\lambda = \sqrt[4]{\left(\frac{kB}{4E_c I}\right)}$$

where

k = modulus of subgrade reaction, in kN/m^3 , for footing of width B , in m (see Annex C);

B = width of raft B , in m;

E_c = modulus of elasticity of concrete in kN/m^2 ; and

I = moment of inertia of raft, in m^4 .

ANNEX D
(Clause 7.4.4.1)

**CALCULATION OF PRESSURE DISTRIBUTION BY
CONVENTIONAL METHOD**

D-1 DETERMINATION OF PRESSURE DISTRIBUTION

The pressure distribution (q) under the raft shall be determined by the following formula:

$$q = \frac{Q}{A} \pm \frac{Qe_y}{I_x} y \pm \frac{Qe_x}{I_y} x$$

where

- Q = total vertical load on the raft,
 A = total area of the raft,
 e_x, e_y } = eccentricities and moments of inertia about the principal axes
 I_x, I_y } through the centroid of the section, and
 x, y = co-ordinates of any given point on the raft with respect to the x and y axes passing through the centroid of the area of the raft.

I_x', I_y', e_x', e_y' may be calculated from the following equations:

$$I_x' = I_x - \frac{I_{xy}^2}{I_y}$$

$$I_y' = I_y - \frac{I_{xy}^2}{I_x}$$

$$e_x' = e_x - \frac{I_{xy}}{I_x} e_y$$

$$e_y' = e_y - \frac{I_{xy}}{I_y} e_x$$

where

I_x, I_y = moment of inertia of the area of the raft respectively about the x and y axes through the centroid,

$I_{xy} = \int xy \cdot dA$ for the whole area about x and y axes through the centroid, and

e_x, e_y = eccentricities in the x and y directions of the load from the centroid.

For a rectangular raft, the equation simplifies to :

$$q = \frac{Q}{A} \left(1 \pm \frac{12e_y y}{b^2} \pm \frac{12e_x x}{a^2} \right)$$

where

a and b = the dimensions of the raft in the x and y directions, respectively.

NOTE — If one or more of the values of (q) are negative as calculated by the above formula, it indicates that the whole area of foundation is not subject to pressure and only a part of the area is in contact with the soil, and the above formula will still hold good, provided the appropriate values of l_x , l_y , l_{xy} , e_x and e_y , are used with respect to the area in contact with the soil instead of the whole area.

ANNEX E

[Clauses 3.4.14 and 7.4.4.2 (a)]

**CONTACT PRESSURE DISTRIBUTION AND MOMENTS
BELOW FLEXIBLE FOUNDATION****E-1 CONTACT PRESSURE DISTRIBUTION**

E-1.1 The distribution of contact pressure is assumed to be linear with the maximum value attained under the columns and the minimum value at mid span.

E-1.2 The contact pressure for the full width of the strip under an interior column load located at a point i can be determined as (see Fig. 11A) :

$$p_i = \frac{5P_i}{\bar{l}} + \frac{48M_i}{(\bar{l})^2}$$

where

l = average length of adjacent span, in m,

P_i = column load, in t at point i , and

M_i = moment under an interior columns loaded at i .

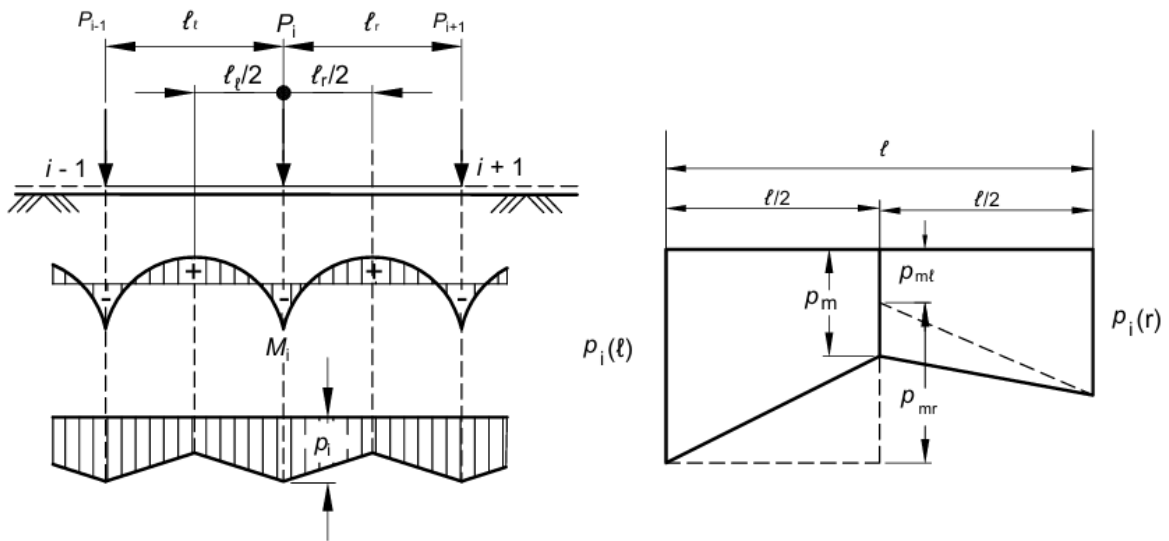
E-1.3 The minimum contact pressure for the full width of the strip at the middle of the adjacent spans can be determined as (see Fig. 11A and 11B):

$$p_{ml} = 2P_i \left(\frac{l_r}{l_1 \bar{l}} \right) - p_i \left(\frac{\bar{l}}{l_1} \right)$$

$$p_{mr} = 2P_i \left(\frac{l_1}{l_r \bar{l}} \right) - p_i \left(\frac{\bar{l}}{l_r} \right)$$

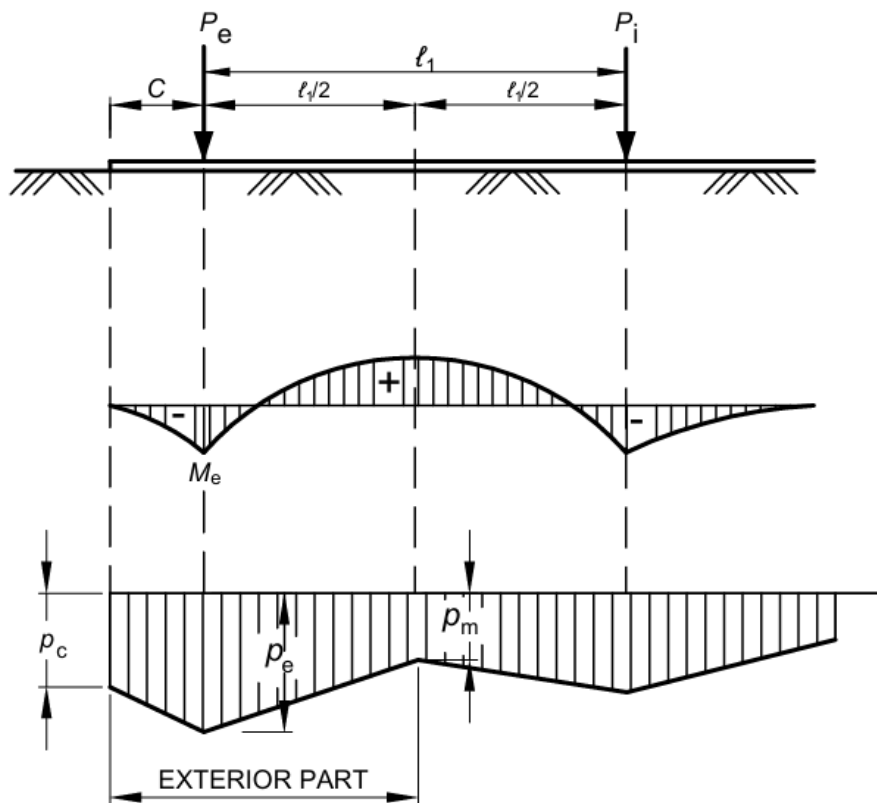
$$p_m = \frac{p_{ml} + p_{mr}}{2}$$

where l_r, l_1 are as shown in Fig. 11A.



11A MOMENT AND PRESSURE DISTRIBUTION AT INTERIOR COLUMN

11B PRESSURE DISTRIBUTION OVER AN INTERIOR SPAN



11C MOMENT AND PRESSURE DISTRIBUTION AT EXTERIOR COLUMNS

Fig. 11 MOMENT AND PRESSURE DISTRIBUTION AT COLUMNS

E-1.4 If **E-2.3(a)** governs the moment under the exterior columns, contact pressures under the exterior columns and at end of strip can be determined as (see Fig. 11C) :

$$p_e = \frac{4P_e + \frac{6M_e}{C} - p_m l_1}{C + l_1}$$

$$p_c = -\frac{3M_e}{C^2} - \frac{p_e}{2}$$

where P_e , p_m , M_e , l_1 , C are as shown in Fig. 9C.

E-1.5 If **E-2.3(b)** governs the moment under the exterior columns, the contact pressures are determined as (see Fig. 9C) :

$$p_e = p_c \frac{4P_e - p_m l_1}{4C + l_1}$$

E-2 BENDING MOMENT DIAGRAM

E-2.1 The bending moment under an interior column located at i (see Fig. 9A) can be determined as :

$$M_i = -\frac{P_i}{4\lambda} (0.24\lambda\bar{l} + 0.16)$$

E-2.2 The bending moment at mid span is obtained as (see Fig. 9A) :

$$M_m = M_o + M_i$$

M_o = moment of simply supported beam

$$= \frac{l^2}{48} [p_i(l) + 4\overline{p_m} + p_i(r)]$$

M_i = average of negative moments M_i at each end of the bay.

where l , $p_i(l)$, $p_i(r)$, $\overline{p_m}$ are as shown in Fig. 9B.

E-2.3 The bending moment M_e under exterior columns can be determined as the least of (see Fig. 11C) :

$$\text{a) } M_{e1} = -\frac{P_e}{4\lambda} (0.13\lambda l_1 + 1.06\lambda C - 0.50)$$

$$\text{b) } M_{e2} = -\frac{(4P_e - p_m l_1) C^2}{(4C + l_1) 2}$$

ANNEX F
[Clause 7.4.4.2(b)]

FLEXIBLE FOUNDATION – GENERAL CONDITION

F-1 CLOSED FORM SOLUTION OF ELASTIC PLATE THEORY

F-1.1 For a flexible raft foundation with non-uniform column spacing and load intensity, solution of the differential equation governing the behaviour of plates on elastic foundation (Winkler Type) gives radial moment (M_r) tangential moment (M_t) and deflection (w) at any point by the following expressions :

$$M_r = -\frac{P}{4} \left[Z_4 \left(\frac{r}{L} \right) - (1 - \mu) \frac{Z_3' \left(\frac{r}{L} \right)}{\left(\frac{r}{L} \right)} \right]$$

$$M_t = -\frac{P}{4} \left[\mu Z_4 \left(\frac{r}{L} \right) + (1 - \mu) \frac{Z_3' \left(\frac{r}{L} \right)}{\left(\frac{r}{L} \right)} \right]$$

$$w = \frac{PL^2}{4D} \cdot Z_3 \left(\frac{r}{L} \right)$$

where

P = column load,
 r = distance of the point under investigation from column load along radius, and
 L = radius of effective stiffness

$$= \left(\frac{D}{k} \right)^{1/4}$$

where

k = modulus of subgrade reaction for footing of width B ,
 D = flexural rigidity of the foundation,

$$P = \frac{Et^2}{12(1 - \mu)^2},$$

T = raft thickness,
 E = Modulus of elasticity of the foundation material,
 μ = Possion's ratio of the foundation material, and

$$\left. \begin{matrix} Z_3\left(\frac{r}{L}\right), \\ Z_3\left(\frac{r}{L}\right), \\ Z_4\left(\frac{r}{L}\right) \end{matrix} \right\} = \text{functions of shear, moment and deflection (see Fig. 12)}$$

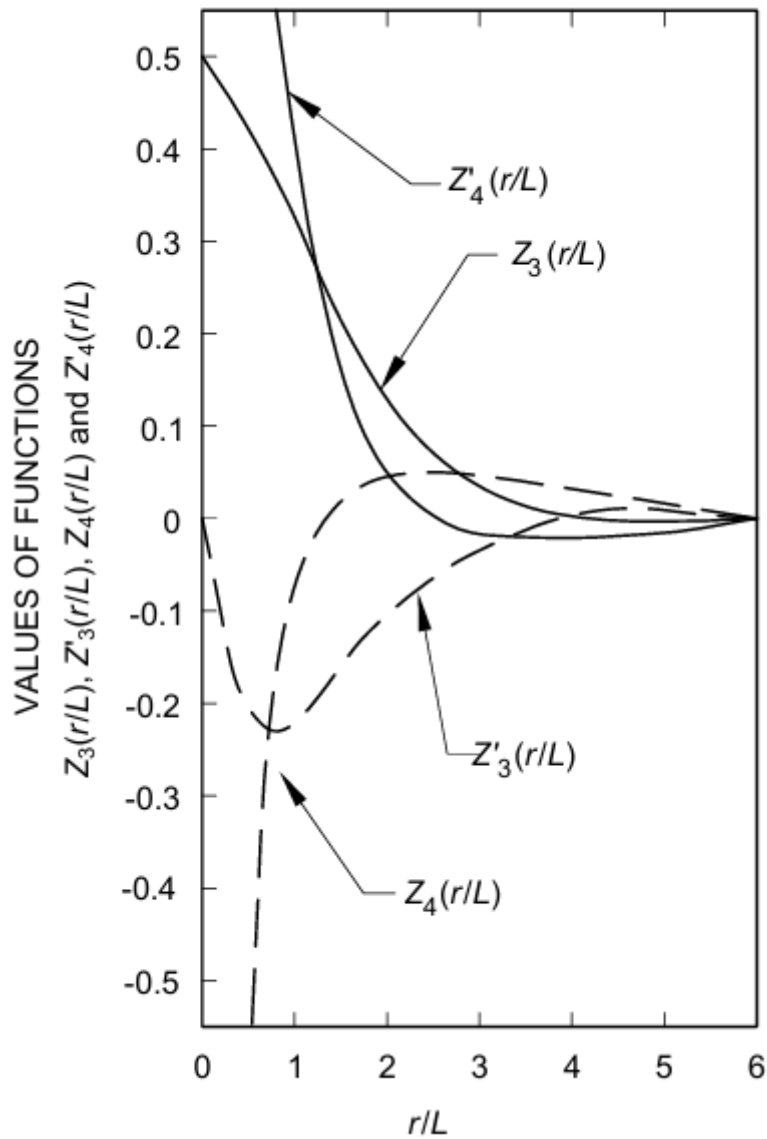


FIG.12 FUNCTIONS FOR SHEAR MOMENT AND DEFLECTION

F-1.2 The radial and tangential moments can be converted to rectangular co-ordinates:

$$M_x = M_r \cos^2 \phi + M_t \sin^2 \phi$$

$$M_y = M_r \sin^2 \phi + M_t \cos^2 \phi$$

where

Φ = angle with x-axis to the line jointing origin to the point under consideration.

F-1.3 The shear, Q per unit width of raft can be determined by :

$$Q = -\frac{P}{4L} Z_4' \left(\frac{r}{L} \right)$$

$Z_4' \left(\frac{r}{L} \right)$ = function for shear (see Fig. 12).

F-1.4 When the edge of the raft is located within the radius of influence, the following corrections are to be applied. Calculate moments and shears perpendicular to the edge of the raft within the radius of influence, assuming the raft to be infinitely large. Then apply opposite and equal moments and shears on the edge of the mat. The method for beams on elastic foundation may be used.

F-1.5 Finally, all moments and shears calculated for each individual column and wall are superimposed to obtain the total moment and shear values.

ANNEX G

(Clauses 8.2.3.3.1.1, 8.2.3.3.1.4 and 8.5.3.4)

LOAD CARRYING CAPACITY OF PILES - STATIC ANALYSIS**G-1 PILES IN GRANULAR SOILS**

The ultimate load capacity (Q_u) of piles, in kN, in granular soils is given by the following formula:

$$Q_u = A_p \left(\frac{1}{2} D \gamma N_\gamma + P_D N_q \right) + \sum_{i=1}^n K_i P_{Di} \tan \delta_i A_{si} \dots\dots\dots(1)$$

The first term gives end bearing resistance and the second term gives skin friction resistance.

where

- A_p = cross-sectional area of pile tip, in m^2 ;
- D = diameter of pile shaft, in m;
- γ = effective unit weight of the soil at pile tip, in kN/m^3 ;
- N_γ = bearing capacity factors depending upon the angle of internal friction, ϕ at pile tip;
- and N_q = bearing capacity factors depending upon the angle of internal friction, ϕ at pile tip;
- P_D = effective overburden pressure at pile tip, in kN/m^2 (see Note 5);
- $\sum_{i=1}^n$ = summation for layers 1 to n in which pile is installed and which contribute to positive skin friction;
- K_i = coefficient of earth pressure applicable for the i th layer (see Note 3);
- P_{Di} = effective overburden pressure for the i th layer, in kN/m^2 ;
- δ_i = angle of wall friction between pile and soil for the i th layer; and
- A_{si} = surface area of pile shaft in the i th layer, in m^2 .

NOTES

- 1 N_γ factor can be taken for general shear failure according to good practice [6-2(11)].
- 2 N_q factor will depend on the nature of soil, type of pile, the L/B ratio and its method of construction. The values applicable for driven and bored piles are given in Fig. 13A and Fig. 13B respectively.
- 3 K_i , the earth pressure coefficient depends on the nature of soil strata, type of pile, spacing of piles and its method of construction. For bored piles in loose to dense sand with ϕ varying between 30° and 40° , K_i values in the range of 1 to 2 may be used for driven piles and in case of bored piles, K_i values in the range of 1 to 1.5 may be used.
- 4 δ , the angle of wall friction may be taken equal to the friction angle of the soil around the pile shaft.
- 5 In working out pile capacity by static formula, the maximum effective overburden at the pile tip should correspond to the critical depth, which may be taken as 15 times the diameter of the pile shaft for $\phi \leq 30^\circ$ and increasing to 20 times for $\phi \geq 40^\circ$.
- 6 For piles passing through cohesive strata and terminating in a granular stratum, a penetration of at least twice the diameter of the pile shaft should be given into the granular stratum.

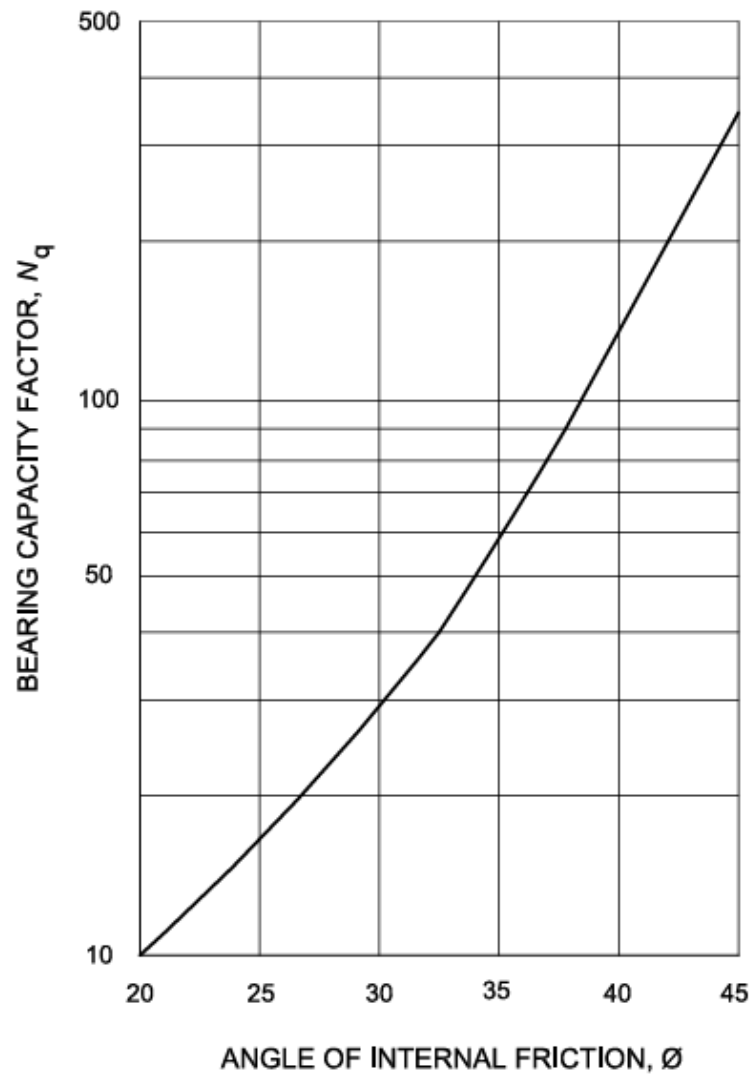


FIG. 13A BEARING CAPACITY FACTOR, N_q FOR DRIVEN PILES

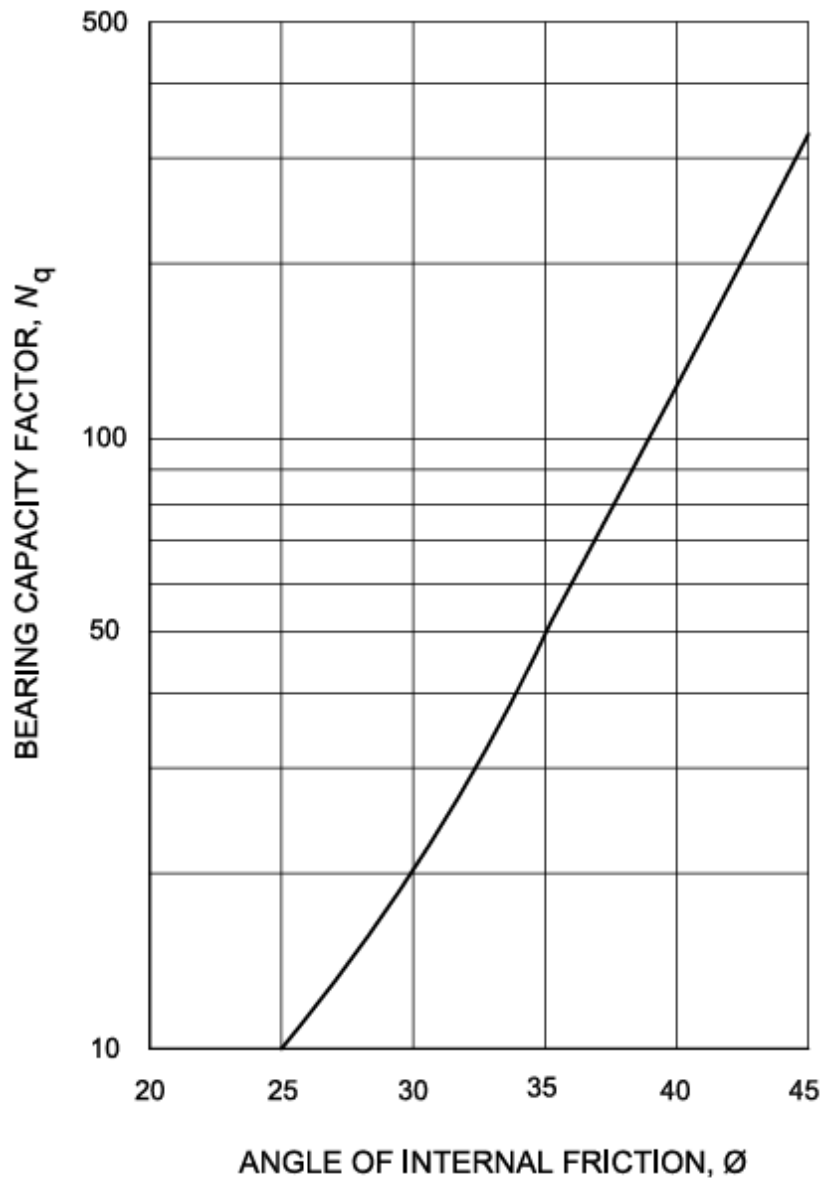


FIG. 13B BEARING CAPACITY FACTOR, N_q FOR BORED PILES

FIG. 13 BEARING CAPACITY FACTOR, N_q

G-2 PILES IN COHESIVE SOILS

The ultimate load capacity (Q_u) of piles, in kN, in cohesive soils is given by the following formula:

$$Q_u = A_p N_c C_p + \sum_{i=1}^n \alpha_i G_i A_{si} \dots\dots\dots(2)$$

The first term gives end bearing resistance and the second term gives the skin friction resistance.

where

- A_p = cross-sectional area of pile tip, in m^2 ;
 N_c = bearing capacity factor, may be taken as 9;
 c_p = average cohesion at pile tip, in kN/m^2 ;
 $\sum_{i=1}^n$ = summation for layers 1 to n in which pile is installed and which contribute to positive skin friction;
 α_i = adhesion factor for the i th layer depending on the consistency of soil (see Note);
 c_i = average cohesion for the i th layer, in kN/m^2 ; and
 A_{si} = surface area of pile shaft in the i th layer, in m^2 .

NOTE — The value of adhesion factor, α_i depends on the undrained shear strength of the clay and may be obtained from Fig. 14.

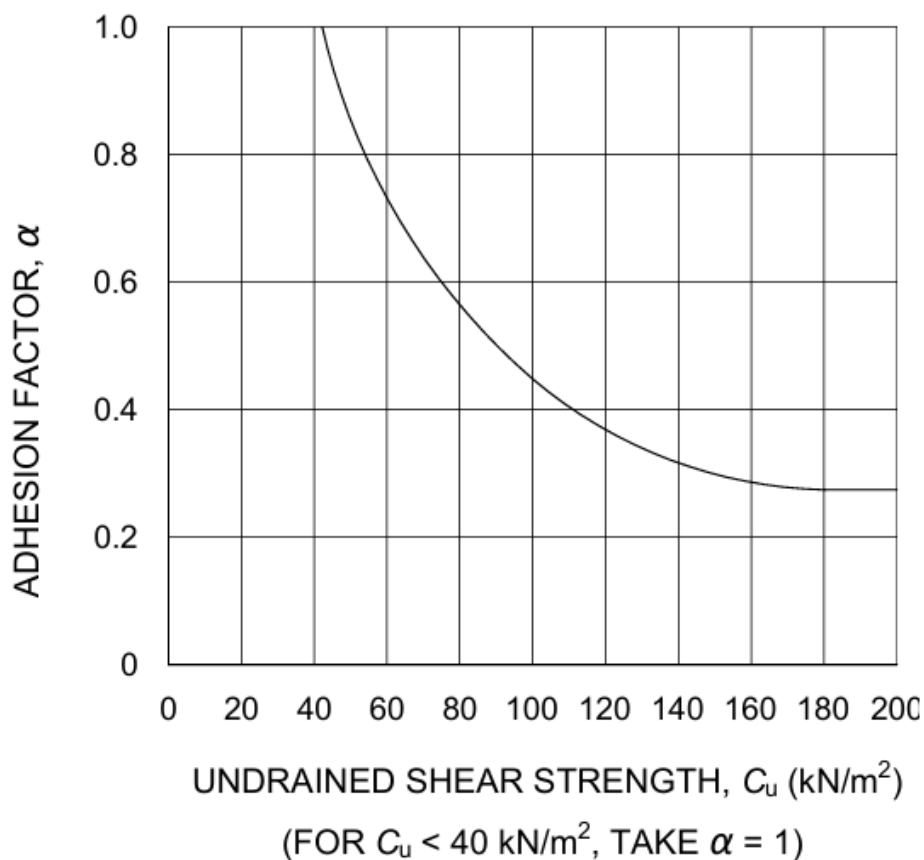


FIG. 14 VARIATION OF α WITH C_u

G-3 USE OF STATIC CONE PENETRATION DATA

G-3.1 When static cone penetration data are available for the entire depth, the following correlation may be used as a guide for the determination of ultimate load capacity of a pile.

G-3.2 Ultimate end bearing resistance (q_u), in kN/m^2 , may be obtained as:

$$q_u = \frac{\frac{q_{c0} + q_{c1}}{2} + q_{c2}}{2}$$

where

- q_{c0} = average static cone resistance over a depth of $2D$ below the pile tip, in kN/m^2 ;
 q_{c1} = minimum static cone resistance over the same $2D$ below the pile tip, in kN/m^2 ;
 q_{c2} = average of the envelope of minimum static cone resistance values over the length of pile of $8D$ above the pile tip, in kN/m^2 ;
 and
 D = diameter of pile shaft.

G-3.3 Ultimate skin friction resistance can be approximated to local side friction (f_s), in kN/m^2 , obtained from static cone resistance as given in Table 10.

Table 10 Side Friction for Different Soil Types
(Clause G-3.3)

SI No. (1)	Type of Soil (2)	Local Side Friction, f_s kN/m^2 (3)
i)	q_c less than 1 000 kN/m^2	$q_c/30 < f_s < q_c/10$
ii)	Clay	$q_c/25 < f_s < 2q_c/25$
iii)	Silty clay and silty sand	$q_c/100 < f_s < q_c/25$
iv)	Sand	$q_c/100 < f_s < q_c/50$
v)	Coarse sand and gravel	$q_c/100 < f_s < q_c/150$

where q_c = cone resistance, in kN/m^2 .

G-3.4 The correlation between standard penetration resistance, N (blows/30 cm) and static cone resistance, q_c , in kN/m^2 , as given in Table 11 may be used for working out the end bearing resistance and skin friction resistance of piles. This correlation should only be taken as a guide and should preferably be established for a given site as they can vary substantially with the grain size, Atterberg limits, water table, etc.

**Table 11 Co-Relation between N and q_c
for Different Types of Soil
(Clause G-3.4)**

SI No.	Type of Soil	q_c/N
(1)	(2)	(3)
i)	Clay	150 - 200
ii)	Silts, sandy silts and slightly cohesive silt-sand mixtures	200 - 250
iii)	Clean fine to medium sand and slightly silty sand	300 - 400
iv)	Coarse sand and sands with little gravel	500 - 600
v)	Sandy gravel and gravel	800 - 1 000

G-4 USE OF STANDARD PENETRATION TEST DATA FOR COHESIONLESS SOIL

G-4.1 The correlation suggested by Meyerhof using standard penetration resistance, N in saturated cohesionless soil to estimate the ultimate load capacity of driven pile is given below. The ultimate load capacity of pile (Q_u), in kN, is given as:

$$Q_u = 40 N \frac{L_b}{D} A_p + \frac{\bar{N} A_s}{0.50} \dots\dots\dots(3)$$

The first term gives the end bearing resistance and the second term gives the frictional resistance.

where

- N = average N values at pile tip;
- L_b = length of penetration of pile in the bearing strata, in m;
- D = diameter or minimum width of pile shaft, in m;
- A_p = cross-sectional area of pile tip, in m²;
- \bar{N} = average N along the pile shaft; and
- A_s = surface area of pile shaft, in m².

NOTE — The end bearing resistance should not exceed $400 NA_p$

G-4.2 For non-plastic silt or very fine sand the equation has been modified as:

$$Q_u = 30 N \frac{L_b}{D} A_p + \frac{\bar{N} A_s}{0.60} \dots\dots\dots(4)$$

The meaning of all terms is same as for equation 3.

G-4.3 The correlation suggested by Meyerhof using standard penetration resistance, N in saturated cohesionless soil to estimate the ultimate load capacity of bored pile is given below. The ultimate capacity of pile (Q_u), in kN, is given as:

$$Q_u = 13 N \frac{L_b}{D} A_p + \frac{\bar{N} A_s}{0.50} \dots\dots\dots(5)$$

The first term gives end bearing resistance and the second term gives frictional resistance.

The meaning of all terms is same as for equation 3.

NOTE —The end bearing resistance should not exceed $130 NA_p$.

G-4.4 For non-plastic silt or very fine sand the equation has been modified as:

$$Q_u = 10 N \frac{L_b}{D} A_p + \frac{\bar{N} A_s}{0.60} \dots\dots\dots(6)$$

The meaning of all terms is same as for equation 3.

G-5 FACTOR OF SAFETY

The minimum factor of safety for arriving at the safe pile capacity from the ultimate capacity obtained by using static formulae shall be 2.5.

G-6 PILES IN STRATIFIED SOIL

In stratified soil/C- ϕ soil, the ultimate load capacity of piles should be determined by calculating the skin friction and end bearing in different strata by using appropriate expressions given in **G-1** and **G-2**.

G-7 PILES IN HARD ROCK

When the crushing strength of the rock is more than characteristic strength of pile concrete, the rock should be deemed as hard rock. Bored piles resting directly on hard rock may be loaded to their safe structural capacity.

G-8 PILES IN WEATHERED / SOFT ROCK

For bored piles founded in weathered/soft rock different empirical approaches are used to arrive at the socket length necessary for utilizing the full structural capacity of the pile.

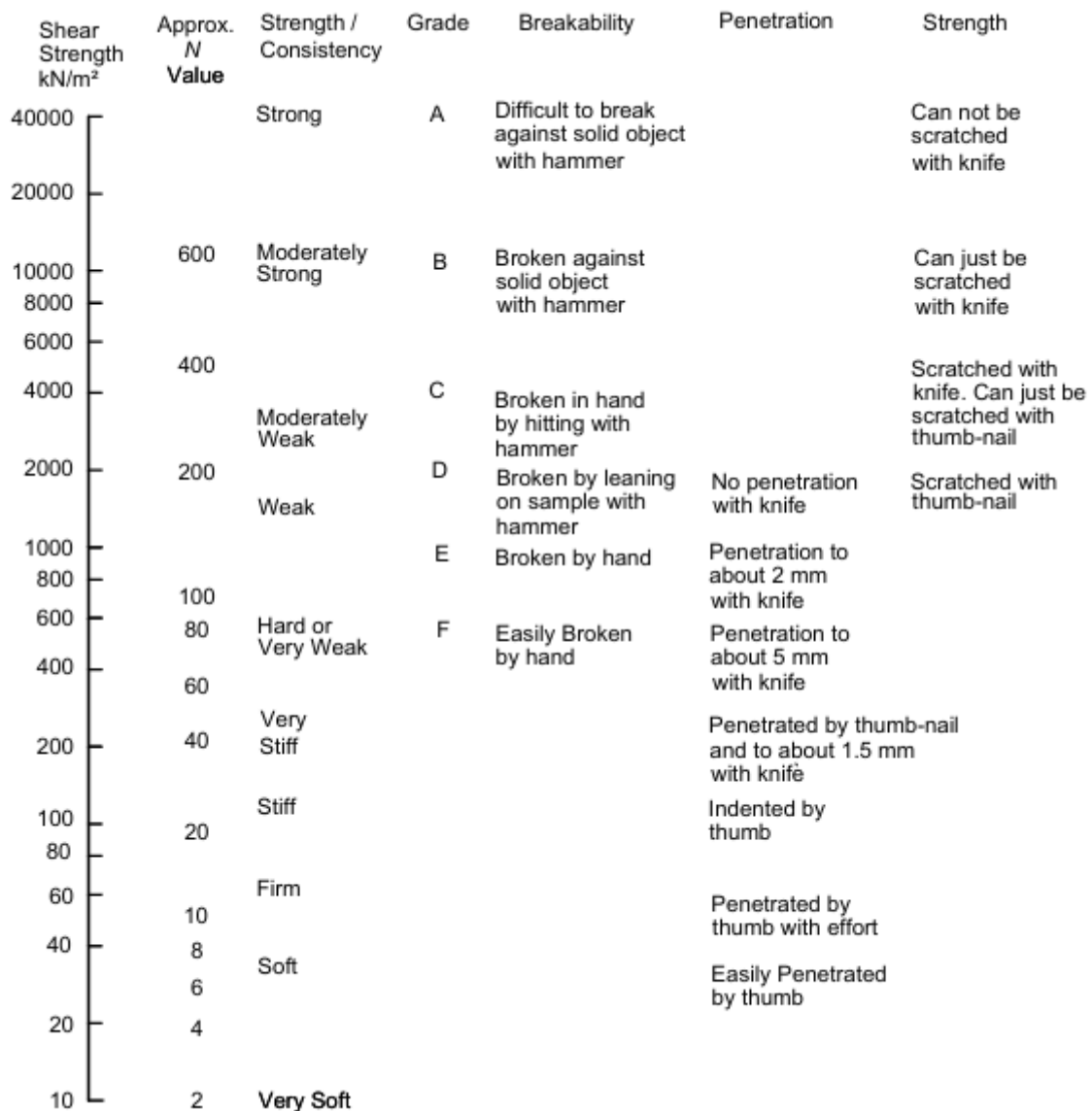
Since it is difficult to collect cores in weathered/soft rocks, the method suggested by Cole and Stroud using ' N ' values is more widely used. The allowable load on the pile, Q_a , in kN, by this approach, is given by:

$$Q_a = c_{u1} N_c \cdot \frac{\pi B^2}{4 F_s} + \alpha c_{u2} \cdot \frac{\pi B L}{F_s}$$

where

- c_{u1} = shear strength of rock below the base of the pile, in kN/m² (see Fig. 15);
- N_c = bearing capacity factor taken as 9;
- F_s = factor of safety usually taken as 3;
- α = 0.9 (recommended value);
- c_{u2} = average shear strength of rock in the socketed length of pile, in kN/m² (see Fig. 15);
- B = minimum width of pile shaft (diameter in case of circular piles), in m; and
- L = socket length of pile, in m.

NOTE — For $N \geq 60$, the stratum is to be treated as weathered rock rather than soil.



NOTE – Standard penetration test may not be practicable for N values greater than 200. In such cases, design may be done on the basis of shear strength of rock.

Fig. 15 CONSISTENCY AND SHEAR STRENGTH OF WEATHERED ROCK

ANNEX H (Clause 8.2.3.5.2)

ANALYSIS OF LATERALLY LOADED PILES

H-1 GENERAL

H-1.1 The ultimate resistance of a vertical pile to a lateral load and the deflection of the pile as the load builds up to its ultimate value are complex matters involving the interaction between a semi-rigid structural element and soil which deforms partly elastically and partly plastically. The failure mechanisms of an infinitely long pile and that of a short rigid pile are different. The failure mechanisms also differ for a restrained and unrestrained pile head condition.

Because of the complexity of the problem only a procedure for an approximate solution that is adequate in most of the cases is presented here. Situations that need a rigorous analysis shall be dealt with accordingly.

H-1.2 The first step is to determine, if the pile will behave as a short rigid unit or as an infinitely long flexible member. This is done by calculating the stiffness factor R or T for the particular combination of pile and soil.

Having calculated the stiffness factor, the criteria for behaviour as a short rigid pile or as a long elastic pile are related to the embedded length L_e of the pile. The depth from the ground surface to the point of virtual fixity is then calculated and used in the conventional elastic analysis for estimating the lateral deflection and bending moment.

H-2 STIFFNESS FACTORS

H-2.1 The lateral soil resistance for granular soils and normally consolidated clays which have varying soil modulus is modeled according to the equation:

$$\frac{p}{y} = \eta_h z$$

where

- p = Lateral soil reaction per unit length of pile at depth z below ground level;
- y = Lateral pile deflection; and
- η_h = Modulus of subgrade reaction for which the recommended values are given in Table 12.

H-2.2 The lateral soil resistance for over-consolidated clays with constant soil modulus is modeled according to the equation:

$$\frac{p}{y} = K$$

where

$$K = \frac{k_1}{1.5} \times \frac{0.3}{B}$$

where k_1 is Terzaghi's modulus of subgrade reaction as determined from load deflection measurements on a 30 cm square plate and B is the width of the pile (diameter in case of circular piles). The recommended values of k_1 are given in Table 13.

**Table 12 Modulus of Subgrade Reaction
for Granular Soils and Normally Consolidated Clays, η_h , kN/m³**
(Clause H-2.1)

SI No.	Soil Type	N (Blows/ 30 cm)	Range of η_h	
			kN/m ³ x 10 ³	
			Dry	Submerged
(1)	(2)	(3)	(4)	(5)
i)	Soft organic silt	-	-	0.15
ii)	Soft normally consolidated clay	0 - 4	-	0.35 - 0.7
iii)	Very loose sand	0 - 4	< 0.4	< 0.2
iv)	Loose sand	4 - 10	0.4 - 2.5	0.2 - 1.4
v)	Medium sand	10 - 35	2.5 - 7.5	1.4 - 5.0
vi)	Dense sand	> 35	7.5 - 20.0	5.0 - 12.0

NOTE— The η_h values may be interpolated for intermediate standard penetration values, N .

**Table 13 Modulus of Subgrade Reaction
for Cohesive Soil, k_1 , KN/m³**
(Clause H-2.2)

SI No.	Soil consistency	Unconfined compression strength, q_u kN/m ²	Range of k_1
			kN/m ³ x 10 ³
(1)	(2)	(3)	(4)
i)	Soft	25 - 50	4.5 - 9.0
ii)	Medium stiff	50 - 100	9.0 - 18.0
iii)	Stiff	100 - 200	18.0 - 36.0
iv)	Very stiff	200 - 400	36.0 - 72.0
v)	Hard	> 400	>72.0

NOTE— For q_u less than 25, k_1 may be taken as zero, which implies that there is no lateral resistance.

H-2.3 Stiffness Factors**H-2.3.1 For Piles in Sand and Normally Consolidated Clays**

$$\text{Stiffness factor } T, \text{ in m} = \sqrt[5]{\frac{EI}{\eta_h}}$$

where

$$\begin{aligned} E &= \text{Young's modulus of pile material, in MN/m}^2; \\ I &= \text{moment of inertia of the pile cross-section, in m}^4; \text{ and} \\ \eta_h &= \text{modulus of subgrade reaction variation, in MN/m}^3 \text{ (see Table 10).} \end{aligned}$$

H-2.3.2 For Piles in Over-consolidated Clays

$$\text{Stiffness factor } R, \text{ in m} = \sqrt[4]{\frac{EI}{KB}}$$

where

$$\begin{aligned} E &= \text{Young's modulus of pile material, in MN/m}^2; \\ I &= \text{moment of inertia of the pile cross-section, in m}^4; \\ K &= \frac{k_1}{1.5} \times \frac{0.3}{B}, \text{ (See Table 11 for values of } k_1, \text{ in MN/m}^3. \text{ See also Note); and} \\ B &= \text{width of pile shaft (diameter in case of circular piles), in m.} \end{aligned}$$

Note – Table 11 shall be referred if the average unconfined compression strength, q_u is greater than or equal to 100 kN/m².

H-3 CRITERIA FOR SHORT RIGID PILES AND LONG ELASTIC PILES

Having calculated the stiffness factor T or R , the criteria for behaviour as a short rigid pile or as a long elastic pile are related to the embedded length L_e as given in Table 14.

Table 14 Criteria for Behaviour of Pile Based on its Embedded Length
(Clause H-3)

SI No.	Type of Pile Behaviour	Relation of Embedded Length with Stiffness Factor	
		Linearly Increasing	Constant
(1)	(2)	(3)	(4)
i)	Short (rigid) pile	$L_e \leq 2T$	$L_e \leq 2R$

ii) Long (elastic) pile	$L_e \geq 4T$	$L_e \geq 3.5R$
-------------------------	---------------	-----------------

NOTE— The intermediate L shall indicate a case between rigid pile behaviour and elastic pile behavior.

H-4 DEFLECTION AND MOMENTS IN LONG ELASTIC PILES

H-4.1 Equivalent cantilever approach gives a simple procedure for obtaining the deflections and moments due to relatively small lateral loads. This requires the determination of depth of virtual fixity, z_f .

The depth to the point of fixity may be read from the plots given in Fig. 16. e is the effective eccentricity of the point of load application obtained either by converting the moment to an equivalent horizontal load or by actual position of the horizontal load application. R and T are the stiffness factors described earlier.

H-4.2 The pile head deflection, y shall be computed using the following equations:

$$\text{Deflection, } y = \frac{H(e + z_f)^3}{3EI} \times 10^3 \quad \text{.....for free head pile}$$

$$\text{Deflection, } y = \frac{H(e + z_f)^3}{12EI} \times 10^3 \quad \text{.....for fixed head pile}$$

where

H = lateral load, in kN;

y = deflection of pile head, in mm;

E = Young's modulus of pile material, in kN/m²;

I = moment of inertia of the pile cross section, in m⁴;

z_f = depth to point of fixity, in m; and

e = cantilever length above ground/bed to the point of load application, in

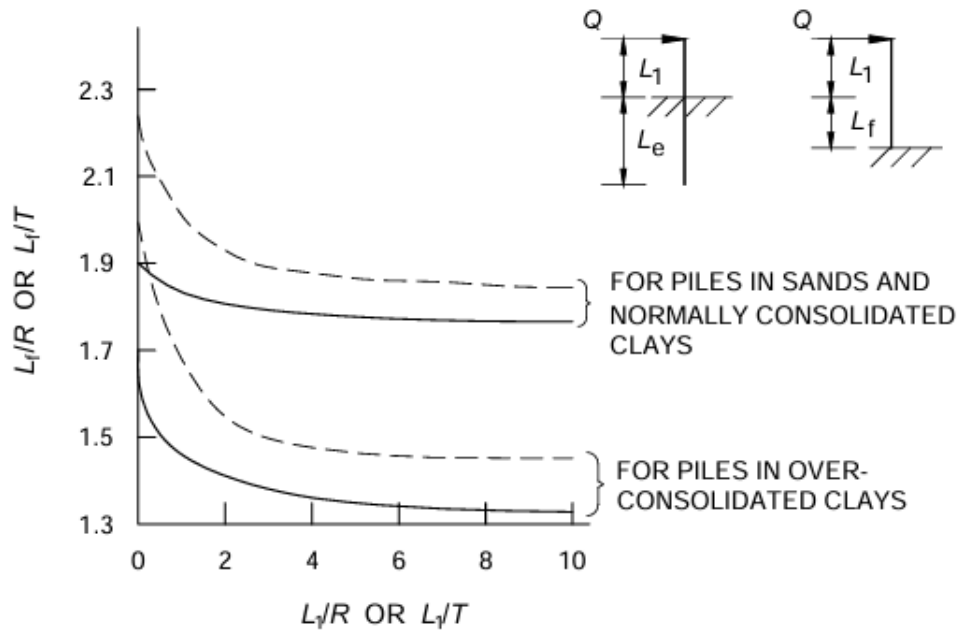
m.

H-4.3 The fixed end moment of the pile for the equivalent cantilever may be determined from the following expressions.

$$\text{Fixed end moment, } M_F = H(e + z_f) \quad \text{.....for free head pile}$$

$$\text{Fixed end moment, } M_F = \frac{H(e + z_f)}{2} \quad \text{.....for fixed head pile}$$

The fixed head moment, M_F of the equivalent cantilever is higher than the actual maximum moment M in the pile. The actual maximum moment may be obtained by multiplying the fixed end moment of the equivalent cantilever by a reduction factor, m , given in Fig. 17.

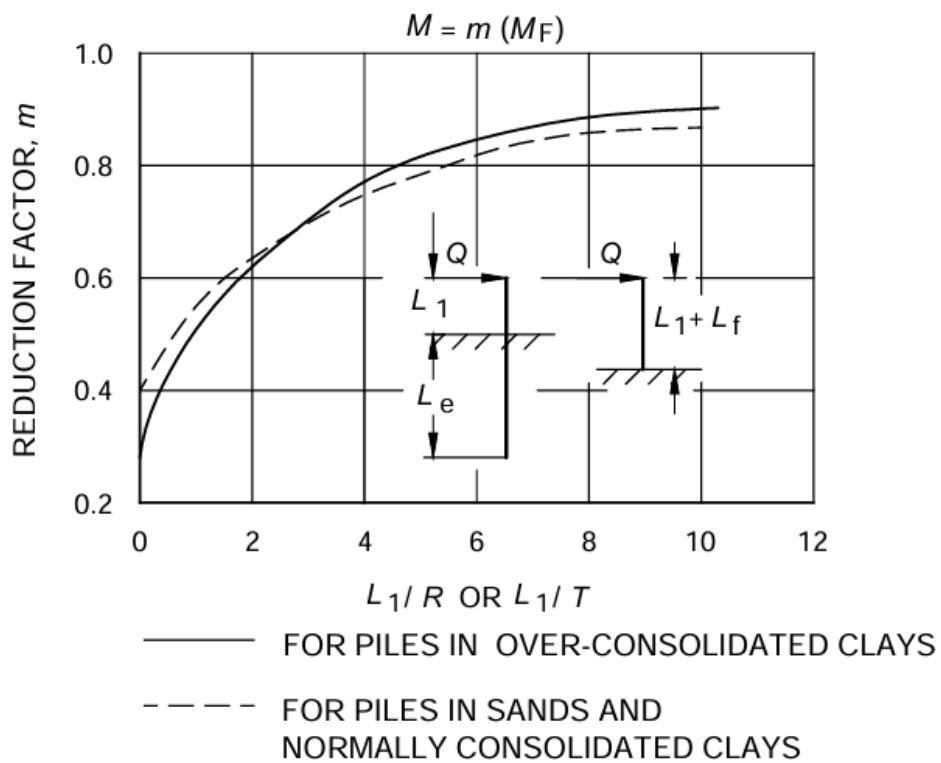


WHERE,

$$L_1 = e \text{ and } L_f = z_f$$

— FREE HEAD PILES
- - - FIXED HEAD PILES

FIG. 16 DEPTH OF FIXITY



17A FOR FREE HEAD PILE

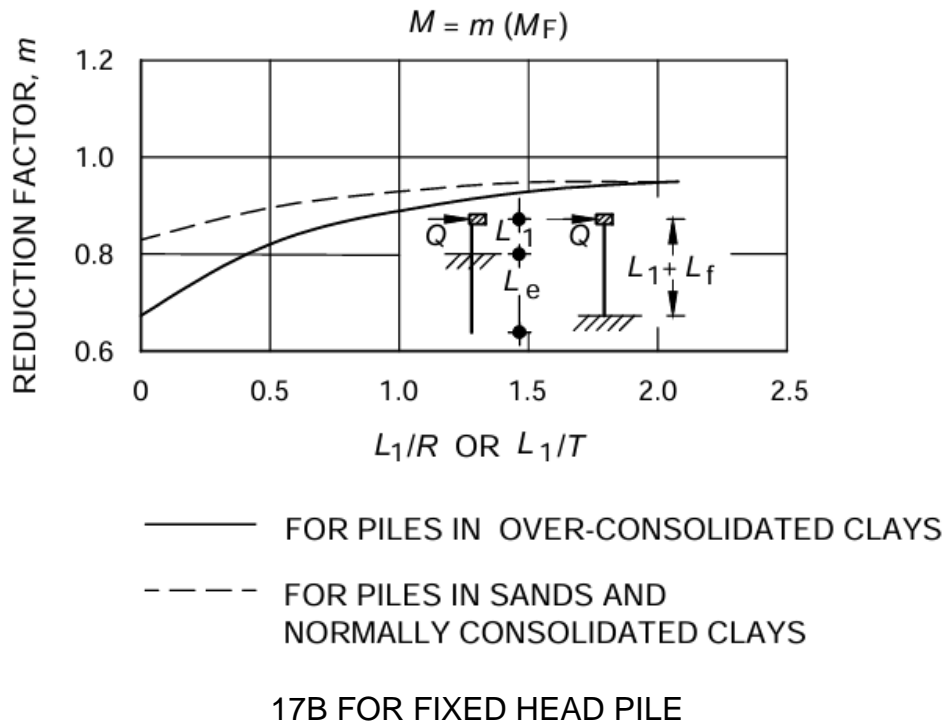


FIG. 17 DETERMINATION OF REDUCTION FACTORS FOR COMPUTATION OF MAXIMUM MOMENT IN PILE

ANNEX J
(Clause 8.5.3.2)

**LOAD CARRYING CAPACITY OF UNDER-REAMED PILES
FROM SOIL PROPERTIES**

J-1 ULTIMATE LOAD CAPACITY

The ultimate load capacity of a pile can be calculated from soil properties. The soil properties required are strength parameters, cohesion, angle of internal friction and soil density.

- a) *Clayey soils* – For clayey soils, the ultimate load carrying capacity of an under-reamed pile may be worked out from the following expression :

$$Q_u = A_p N_c C_p + A_a N_c C'_a + C'_a A'_s + \alpha C_a A_s$$

where

Q_u = ultimate bearing capacity of pile, in kN;

A_p = cross-sectional area of the pile stem at the pile tip, in m^2 ;

N_c = bearing capacity factor, usually taken as 9;

C_p = cohesion of the soil around toe, in kN/m^2 ;

$A_a = (\pi/4)(D_u^2 - D^2)$, where D_u and D are the under-reamed and stem diameter, respectively, in m;

C_a = average cohesion of the soil along the pile stem, in kN/m^2 ;

A_s = surface area of the stem, in m^2 ;

A'_s = surface area of the cylinder circumscribing the under-reamed bulbs, in m^2 ;

C'_a = average cohesion of the soil around the under-reamed bulbs; and

α = reduction factor (usually taken 0.5 for clays).

NOTES

- 1 The above expression holds for the usual spacing of under-reamed bulbs spaced at not more than one and a half times their diameter.
- 2 If the pile is with one bulb only, the third term will not occur. For calculating uplift load, the first term will not occur in the formula.
- 3 In case of expansive soil, top 2 m strata should be neglected for computing skin friction.

b) *Sandy soils*

$$Q_u = A_p \left(\frac{1}{2} D \cdot \gamma \cdot N_\gamma + \gamma \cdot d_f \cdot N_q \right) + A_a \left[\frac{1}{2} D_u \cdot n \cdot \gamma \cdot N_\gamma + \gamma \cdot N_q \cdot \left(\sum_{r=1}^{r=n} d_r \right) \right] + \frac{1}{2} \cdot \pi \cdot D \cdot \gamma \cdot K \tan \delta \cdot (d_1^2 + d_f^2 - d_n^2)$$

where

$A_p = \pi D^2/4$, where D is stem diameter, in m;

$A_a = \pi/4 (D_u^2 - D^2)$ where D_u is the under-reamed bulb diameter, in m;

n = number of under-reamed bulbs;

γ = average unit weight of soil (submerged unit weight in strata below water table), in kN/m³;

N_γ, N_q = bearing capacity factors, depending upon the angle of internal friction;

d_r = depth of the centre of different under-reamed bulbs below ground level, in m;

d_f = total depth of pile below ground level, in m;

K = earth pressure coefficient (usually taken as 1.75 for sandy soils);

δ = angle of wall friction (may be taken as equal to the angle of internal friction ϕ);

d_1 = depth of the centre of the first under-reamed bulb, in m; and

d_n = depth of the centre of the last under-reamed bulb, in m.

NOTES

- 1 For uplift bearing on pile tip, A_p will not occur.
- 2 N_γ will be as specified in good practice [6-2(11)] and N_q will be taken from Fig. 11B.

c) *Soil strata having both cohesion and friction* – In soil strata having both cohesion and friction or in layered strata having two types of soil, the bearing capacity may be estimated using both the formulae. However, in such cases load test will be a better guide.

d) *Compaction piles in sandy strata* – For bored compaction piles in sandy strata, the formula in (b) shall be applied but with the modified value of ϕ_1 as given below:

$$\Phi_1 = (\Phi + 40)/2$$

where

Φ = angle of internal friction of virgin soil.

The values of N_r , N_q and δ are taken corresponding to Φ_1 . The value of the earth pressure coefficient K will be 3.

- e) *Piles resting on rock* – For piles resting on rock, the bearing component will be obtained by multiplying the safe bearing capacity of rock with bearing area of the pile stem plus the bearing provided by the bulb portion.

NOTE — To obtain safe load in compression and uplift from ultimate load capacity generally the factors of safety will be 2.5 and 3, respectively.

ANNEX K
(Clause 9.3.3.4)

LOAD CARRYING CAPACITY

K-1 LOAD CARRYING CAPACITY OF CPRF SYSTEM

K-1.1 The ultimate vertical capacity shall be taken as the least of:

- a) The capacity of the block containing the piles, plus that of the portion of the raft outside the periphery of the pile group;
- b) The sum of the capacity of the raft, $Q_{unpiled-raft}$ and of all the piles $Q_{pile-group}$ in the system, expressed as, $Q_{CPRF} = 0.8 (Q_{unpiled-raft} + Q_{pile-group})$; and
- c) The capacity of CPRF system considering pile-soil-raft interactions. The capacity of CPRF should be expressed as,

$$Q_{CPRF} = \alpha_{pr} \alpha_{pp} \sum_{n=1}^n Q_{single\ pile} + \alpha_{rp} Q_{unpiled\ raft}$$

In the above expression:

- 1) $Q_{unpiled\ raft}$ should be calculated based on [6-2(11)];
- 2) $Q_{single\ pile}$ should be calculated based on [6-2(38)]; and
- 3) α_{pp} , α_{rp} and α_{pr} are the pile-pile, raft-pile and pile-raft interaction factors, respectively. These interaction factors may be suitably taken from various relevant literature.

ANNEX M
(Clause 11.2)

SOIL IMPROVEMENT METHODS

Summary of Soil Improvement Methods

	Method	Principle	Most Suitable Soil Conditions/ Types	Maximum Effective Treatment Depth	Special Materials Required	Special Equipment Required	Properties of Treated Material	Special Advantages and Limitation	Relative Cost
<i>In-Situ Deep compaction of Cohesionless Soils</i>	Blasting	Shock waves and vibrations cause liquefaction; displacement with settlement to higher density	Saturated, clean sands: partly saturated sands and silts (collapsible loess) after flooding	>30m	Explosives, backfill to plug drill holes, hole casings	Jetting or drilling machine	Can obtain relative densities to 70-80, may get variable density strength gain	Rapid, inexpensive, can treat any size areas: variable properties, no improvement near surface, dangerous	Low

	Method	Principle	Most Suitable Soil Conditions/ Types	Maximum Effective Treatment Depth	Special Materials Required	Special Equipment Required	Properties of Treated Material	Special Advantages and Limitation	Relative Cost
	Vibratory Probe	Densification by vibration; liquefaction induced settlement under overburden	Saturated or dry clean sand	20m (Ineffective above 3-4 m depth)	None	Vibratory pile driver and 750 mm dia open steel pipe	Can obtain relative densities of up to 80 percent. Ineffective in some sands	Rapid, simple, good underwater, soft under layers may damp vibrations, difficult to penetrate, stiff over layers, not good in partly saturated soils	Moderate
	Vibro-compaction	Densification by vibration and compaction of backfill material	Cohesionless soils with less than 20 fines	30 m	Granular backfill, water supply	Vibroflot, crane, pumps	Can obtain high relative densities, good uniformity	Useful in saturated and partly saturated soils, uniformity	Moderate

	Method	Principle	Most Suitable Soil Conditions/ Types	Maximum Effective Treatment Depth	Special Materials Required	Special Equipment Required	Properties of Treated Material	Special Advantages and Limitation	Relative Cost
In-Situ Deep compaction of Cohesionless Soils	Compaction piles	Densification by displacement of pile volume and by vibration during driving	Loose sandy soils: partly saturated clayey soils, loess	>20 m	Pile material (often sand or soil plus cement mixture)	Pile driver, special sand pile equipment	Can obtain high densities, good uniformity	Useful in soils with fines, uniform compaction, easy to check results, slow, limited improvement in upper 1-2 m	Moderate to high
	Heavy tamping (Dynamic compaction/consolidation)	Repeated application of high intensity impacts at surface	Cohesionless soils, waste fills, partly saturated soils	30 m	None	Tampers of up to 200 tonne, high capacity crane	Can obtain good improvement and reasonable uniformity	Simple, rapid, suitable for some soils with fines; usable above and below water, requires control, shall be away from existing structures	Low

	Method	Principle	Most Suitable Soil Conditions/ Types	Maximum Effective Treatment Depth	Special Materials Required	Special Equipment Required	Properties of Treated Material	Special Advantages and Limitation	Relative Cost
Injection and Grouting	Particulate grouting	Penetration grouting-fill soil pores with soil, cement, and/or clay	Medium to coarse sand and gravel	Unlimited	Grout, water	Mixers, tanks, pumps, hoses	Impervious, high strength with cement grout, eliminate liquefaction danger	Low cost grouts, high strength; limited to coarse-grained soils, hard to evaluate	Lowest of the grout systems
	Chemical grouting	Solution of two or more chemicals react in soil pores to form a gel or a solid precipitate	Medium silts and coarser	Unlimited	Grout, water	Mixers, tanks, pumps, hoses	Impervious, high strength with cement grout, eliminate liquefaction danger	Low viscosity controllable gel time, good water shut-off; high cost, hard to evaluate	High to very high
Injection and Grouting	Pressure injected lime	Lime slurry injected to shallow depths under high pressure	Expansive clays	Unlimited, but 2-3m usual	Lime, water, surfactant	Slurry tanks, agitators, pumps, hoses	Lime in capsulated zones formed by channels resulting from cracks, root holes, hydraulic fracture	Only effective in narrow range of soil conditions	Competitive with other solutions to expansive soil problems

	Method	Principle	Most Suitable Soil Conditions/ Types	Maximum Effective Treatment Depth	Special Materials Required	Special Equipment Required	Properties of Treated Material	Special Advantages and Limitation	Relative Cost
	Displacements grout	Highly viscous grout acts as radical hydraulic jack when pumped in under high pressure	Soft, fine-grained soils; foundation soils with large voids or cavities	Unlimited, but a few metre usual	Soil, cement water	Batching equipment, high pressure pumps, hoses	Grout bulbs within compressed soil matrix	Good for correction of differential settlements, filling large voids; careful control required	Low material high injection
	Electrokinetic injection	Stabilization chemicals moved into soil by electro-osmosis or colloids into pores by electrophoresis	Saturated silts; silty clays (clean sands in case of colloid injection)	Unknown	Chemicals stabilizer colloidal void fillers	d.c. power supply, anodes, cathodes	Increased strength, reduced compressibility reduced liquefaction potential	Existing soil and structures not subjected to high pressures; not good in soils with high conductivity	Expansive

	Method	Principle	Most Suitable Soil Conditions/ Types	Maximum Effective Treatment Depth	Special Materials Required	Special Equipment Required	Properties of Treated Material	Special Advantages and Limitation	Relative Cost
	Jet grouting	High speed jets at depth excavate, inject, and mix stabilizer with soil to form columns or panels	Sands, silts, clays	–	Water, stabilizing chemicals	Special jet nozzle, pumps, pipes and hoses	Solidified columns and walls	Useful in soils that can't be permeation grouted, precision in locating treated zones	--
<i>Precompression</i>	Preloading with/with out drain	Load is applied sufficiently in advance of construction so that compression of soft soils is completed prior to development of the site	Normally consolidated soft clays, silts, organic deposits, completed sanitary landfills	–	Earth fill or other material for loading the site; sand or gravel for drainage blanket	Earth moving equipment, large water tanks or vacuum drainage systems sometimes used; settlement markers, piezometers	Reduced water content and void ratio, increased strength	Easy, theory well developed, uniformity; requires long time (vertical drains can be used to reduce consolidation time)	Low (moderate, if vertical drains are required)

	Method	Principle	Most Suitable Soil Conditions/ Types	Maximum Effective Treatment Depth	Special Materials Required	Special Equipment Required	Properties of Treated Material	Special Advantages and Limitation	Relative Cost
	Surcharge fills	Fill in excess of that required permanently is applied to achieve a given amount of settlement in a shorter time; excess fill then removed	Normally consolidated soft clays, silts, organic deposits, completed sanitary landfills	–	Earth fill or other material for loading the site; sand or gravel for drainage blanket	Earth moving equipment; settlement markers, piezometers	Reduced water content, void ratio and compressibility increased strength	Faster than preloading without surcharge, theory well developed, extra material handling; can use vertical drains to reduce consolidation time	Moderate

	Method	Principle	Most Suitable Soil Conditions/ Types	Maximum Effective Treatment Depth	Special Materials Required	Special Equipment Required	Properties of Treated Material	Special Advantages and Limitation	Relative Cost
	Electro-osmosis	d.c. current causes water flow from anode towards cathode where it is removed	Normally consolidated silts and silty clays	–	Anodes (usually rebars or aluminium) cathodes (well points or rebars)	d.c. power supply, wiring, metering systems	Reduced water content and compressibility, increased strength, electrochemical hardening	No fill loading required, can be used in confined area, relatively fast; non-uniform properties between electrodes; not good in highly conductive soils	High
Admixtures	Remove and replace	Foundation soil excavated, improved by drying or admixture, and re-compacted	Inorganic soils	10 m	Admixture stabilizers	Excavating, mixing and compaction equipment, dewatering system	Increased strength and stiffness, reduced compressibility	Uniform, controlled foundation soil when replaced; may require large area dewatering	High

	Method	Principle	Most Suitable Soil Conditions/ Types	Maximum Effective Treatment Depth	Special Materials Required	Special Equipment Required	Properties of Treated Material	Special Advantages and Limitation	Relative Cost
	Structural fills	Structural fill distributes loads to underlying soft soils	Use over soft clays or organic soils, marsh deposits	–	Sand, gravel fly ash, bottom ash, slag, expanded aggregate, clam shell or oyster shell, incinerator ash	Mixing and compaction equipment	Soft subgrade protected by structural load-bearing fill	High strength, good load distribution to underlying soft soils	Low to high
	Mix-in-place piles and walls	Lime cement or asphalt introduced through rotating auger or special in-place mixer	All soft or loose inorganic soils	>20 m	Cement lime asphalt, or chemical stabilizer	Drill rig, rotary cutting and mixing head, additive proportioning equipment	Solidified soil piles for walls of relatively high strength	Use native soil, reduced lateral support requirements during excavation; difficult quality control	Moderate to high

	Method	Principle	Most Suitable Soil Conditions/ Types	Maximum Effective Treatment Depth	Special Materials Required	Special Equipment Required	Properties of Treated Material	Special Advantages and Limitation	Relative Cost
Thermal	Heating	Drying at low temperatures; alteration of clays at intermediate temperatures (400-600°C); fusion at high temperatures (>1 000°C)	Fine- grained soils, especially partly saturated clays and silts, loess	15 m	Fuel	Fuel tanks, burners, blowers	Reduced water content, plasticity, water sensitivity; increased strength	Can obtain irreversible improvements in properties; can introduce stabilizers with hot gases	High
	Freezing	Freeze soft, wet ground to increase its strength stiffness	All soils	Several metre	Refrigerant	Refrigeration system	Increased strength and stiffness, reduced permeability	No good in flowing ground water, temporary	High
Reinforcement	Vibro replacement sand/stone columns	Hole jetted into soft, fine-grained soil and backfilled with densely compacted gravel or sand	Soft clays and alluvial deposits	20 m	Gravel or crushed rock backfill	Vibroflot, crane or vibrocat, water	Increased bearing capacity, reduced settlement	Faster than precompression, avoids dewatering required for remove and replace; limited bearing capacity	Moderate to high

	Method	Principle	Most Suitable Soil Conditions/ Types	Maximum Effective Treatment Depth	Special Materials Required	Special Equipment Required	Properties of Treated Material	Special Advantages and Limitation	Relative Cost
	Root piles, soils nailing	Inclusions used to carry tension, shear, compression	All soils	–	Reinforcing bars, cement grout	Drilling and grouting equipment	Reinforced zone behaves as a coherent mass	<i>In-situ</i> reinforcement for soils that can't be grouted or mixed in-place with admixtures	Moderate to high
	Strips and membranes	Horizontal tensile strips, membranes buried in soil under embankments, gravel base courses and footings	All soils	Can construct earth structures to heights of several metres	Metal or plastic strips, geotextiles	Excavating, earth handling, and compaction equipment	Self-supporting earth structures, increased bearing capacity, reduced deformations	Economical, earth structures coherent, can tolerate deformations; increased allowable bearing pressure	Low to moderate

LIST OF STANDARDS

The following list records those standards which are acceptable as 'good practice' and 'accepted standards' in the fulfillment of the requirements of the Code. The latest version of a standard shall be adopted at the time of enforcement of the Code. The standards listed may be used by the Authority for conformance with the requirements of the referred clauses in the Code.

In the following list, the number appearing in the first column within parentheses indicates the number of the reference in this Part/Section of the Code.

	<i>IS No.</i>	<i>Title</i>
(1)	1892:2021	Code of practice for subsurface investigation for foundation (<i>second revision</i>)
	2131:1981	Method of standard penetration test for soils (<i>first revision</i>)
	2132:1986	Code of practice for thin walled tube sampling of soils (<i>second revision</i>)
	4434:1978	Code of practice for <i>in-situ</i> vane shear test for soils (<i>first revision</i>)
	4968	Method for subsurface sounding for soils
	(Part 1):1976	Dynamic method using 50 mm cone without bentonite slurry (<i>first revision</i>)
	(Part 2):1976	Dynamic method using cone and bentonite slurry (<i>first revision</i>)
	(Part 3):1976	Static cone penetration test (<i>first revision</i>)
	8763:1978	Guide for undisturbed sampling of sands and sandy soils
	9214:1979	Method for determination of modulus of subgrade reaction (<i>k</i> -value) of soils in the field
(2)	1892:2021	Subsurface Investigation for Foundations — Code of Practice (<i>second revision</i>)
(3)	10042:1981	Code of practice for site-investigations for foundation in gravel boulder deposits
(4)	13365 (Part 1):1998	Guidelines for quantitative classification systems of rock mass: Part 1 RMR for predicting of engineering properties
(5)	2720	Methods of tests for soils
	(Part 1):1983	Preparation of dry soil samples for various tests (<i>second revision</i>)
	(Part 2):1973	Determination of water content (<i>second revision</i>)
	(Part 3/Sec 1):1980	Determination of specific gravity, Section 1 Fine grained soils (<i>first revision</i>)
	(Part 3/Sec 2):1980	Determination of specific gravity, Section 2 Fine, medium and coarse grained soils (<i>first revision</i>)
	(Part 4):1985	Grain size analysis (<i>second revision</i>)
	(Part 5):1985	Determination of liquid and plastic limits (<i>second revision</i>)

	(Part 10):1991	Determination of unconfined compressive strength (<i>second revision</i>)
	(Part 11):1993	Determination of the shear strength parameters of a specimen tested in unconsolidated undrained triaxial compression without the measurement of pore water pressure(<i>first revision</i>)
	(Part 12):1981	Determination of shear strength parameters of soil from consolidated undrained triaxial compression test with measurement of pore water pressure (<i>first revision</i>)
	(Part 13):1986	Direct shear test (<i>second revision</i>)
	(Part 15):1986	Determination of consolidation properties (<i>first revision</i>)
	(Part 28):1974	Determination of dry density of soils in place, by the sand replacement method (<i>first revision</i>)
	(Part 29):1975	Determination of dry density of soils in place, by the core cutter method (<i>first revision</i>)
	(Part 33):1971	Determination of the density in-place by the ring and water replacement method
	(Part 34):1972	Determination of density of soils in-place by rubber-balloon method
	(Part 39/Sec 1):1977	Direct shear test for soils containing gravel, Section 1 Laboratory test
(6)	1498:1970	Classification and identification of soils for general engineering purposes (<i>first revision</i>)
(7)	401:2001	Code of practice for preservation of timber (<i>fourth revision</i>)
(8)	15180:2002	Guidelines for use in prediction of subsidence and associated parameters in coal mines having nearly horizontal single seam workings
(9)	3764:1992	Code of safety for excavation work (<i>first revision</i>)
(10)	1904:1986	Code of practice for design and construction of foundations in soils : General requirements (<i>third revision</i>)
(11)	6403:1981	Code of practice for determination of bearing capacity of shallow foundations (<i>first revision</i>)
(12)	1888:1982	Method of load tests on soils (<i>second revision</i>)
(13)	2131:1981	Method for standard penetration test for soils (<i>first revision</i>)
(14)	8009 (Part 1):1976	Code of practice for calculation of settlement of foundations: Part 1 Shallow foundations subjected to symmetrical static vertical loads
(15)	12070:1987	Code of practice for design and construction of shallow foundations on rocks
(16)	1080:1985	Code of practice for design and construction of shallow foundations in soils (other than raft, ring and shell) (<i>second revision</i>)
(17)	11089:1984	Code of practice for design and construction of ring foundations
(18)	9456:1980	Code of practice for design and construction of conical and hyperbolic paraboloidal types of shell foundations

(19)	2974 (Part 1):1982	Code of practice for design and construction of machine foundations: Part 1 Foundations for reciprocating type machines (<i>second revision</i>)
(20)	2911 (Part 4):2013	Design and construction of pile foundations - Code of practice: Part 4 Load test on piles (<i>second revision</i>)
(21)	14593:1998	Design and construction of bored cast <i>in-situ</i> piles founded on rocks – Guidelines
(22)	4968	Method for subsurface sounding for soils:
	(Part 1):1976	Dynamic method using 50 mm cone without bentonite slurry (<i>first revision</i>)
	(Part 2):1976	Dynamic method using cone and bentonite slurry (<i>first revision</i>)
	(Part 3):1976	Static cone penetration test (<i>first revision</i>)
(23)	2911	Code of practice for design and construction of pile foundations
	(Part 1/Sec 1):2010	Concrete piles, Section 1 Driven cast <i>in-situ</i> concrete piles (<i>second revision</i>)
	(Part 1/Sec 2):2010	Concrete piles, Section 2 Bored cast <i>in-situ</i> concrete piles (<i>second revision</i>)
(24)	14893:2001	Guidelines for non-destructive integrity testing of piles
(25)	2911 (Part 1/Sec 3):2010	Code of practice for design and construction of pile foundations: Part 1 Concrete piles, Section 3 Precast driven concrete piles (<i>second revision</i>)
(26)	2911 (Part 1/Sec 4):2010	Code of practice for design and construction of pile foundations: Part 1 Concrete piles, Section 4 Precast concrete piles in prebored holes (<i>first revision</i>)
(27)	2911 (Part 3):1980	Code of practice for design and construction of pile foundations: Part 3 Under-reamed pile foundation (<i>first revision</i>)
(28)	2911 (Part 2):1980	Code of practice for design and construction of pile foundations: Part 2 Timber piles (<i>first revision</i>)
(29)	2974	Code of practice for design and construction of machine foundation
	(Part 1):1982	Foundations for reciprocating type machine (<i>second revision</i>)
	(Part 2):1980	Foundations for impact type machines (hammer foundations) (<i>first revision</i>)
	(Part 3):1992	Foundations for rotary type machines (medium and high frequency) (<i>second revision</i>)
	(Part 4):1979	Foundations for rotary type machines of low frequency (<i>first revision</i>)
	(Part 5):1987	Foundations for impact machines other than hammers (forging and stamping press; pig breakers, drop crusher and jetter) (<i>first revision</i>)
	13301:1992	Guidelines for vibration isolation for machine foundations
	9556:1980	Code of practice for design and construction of diaphragm walls

(30)	13094:1992	Guidelines for selection of ground improvement techniques for foundation in weak soils
(31)	15284 (Part 1):2003	Design and construction for ground improvement — Guidelines: Part 1 Stone columns
(32)	15284 (Part 2):2004	Design and construction for ground improvement — Guidelines: Part 2 Preconsolidation using vertical drains
(33)	13162 (Part 2):1991	Geotextiles – Methods of test: Part 2 Determination of resistance to exposure of ultra-violet light and water (Xenon arc type apparatus)
	13321(Part 1):1992	Glossary of terms for geo-synthetics: Part 1 Terms used in materials and properties
	13325:1992	Method of test for the determination of tensile properties of extruded polymer geogrids using the wide strip
	13326 (Part 1):1992	Method of test for the evaluation of interface friction between geosynthetics and soil: Part 1 Modified direct shear technique
	14293:1995	Geotextiles – Method of test for trapezoid tearing strength
	14294:1995	Geotextiles – Method for determination of apparent opening size by dry sieving technique
	14324:1995	Geotextiles – Methods of test for determination of water permeability-permittivity
	14706:1999	Geotextiles – Sampling and preparation of test specimens
	14714:1999	Geotextiles – Determination of abrasion resistance
	14715 :2000	Woven jute geotextiles – Specification
	14716 :1999	Geotextiles – Determination of mass per unit area
	14739:1999	Geotextiles – Methods for determination of creep
	14986:2001	Guidelines for application of jute geo-grid for rain water erosion control in road and railway embankments and hill slopes
	15060:2001	Geotextiles – Tensile test for joints/seams by wide width method
(34)	2720	Methods of tests for soils
	(Part 11):1993	Determination of the shear strength parameters of a specimen tested in unconsolidated undrained triaxial compression without the measurement of pore water pressure (<i>first revision</i>)
	(Part 12):1981	Determination of shear strength parameters of soil from consolidated undrained triaxial compression test with measurement of pore water pressure (<i>first revision</i>)
(35)	9214:1979	Method of determination of subgrade reaction (<i>K</i> value) of soils in the field
(36)	456:2000	Plain and Reinforced Concrete - Code of practice (<i>fourth revision</i>)
(37)	1892:2021	Subsurface Investigation for Foundations — Code of practice (<i>second revision</i>)
	2720 (Part 1):1983	Methods of test for soils

(Part 2):1973	Preparation of dry soil samples for various tests (second revision)
(Part 3/Sec 1):1980	Determination of water content (second revision)
(Part 3/Sec 2):1980	Determination of specific gravity, Section 1 Fine grained soils (first revision)
(Part 4):1985	Determination of specific gravity, Section 2 Fine, medium and coarse grained soils (first revision)
(Part 5):1985	Grain size analysis (second revision)
(Part 6):1972	Determination of liquid and plastic limits (second revision)
(Part 7):1980	determination of shrinkage factors (First Revision)
(Part 8):1983	determination of water content - Dry density relation using light compaction (Second Revision)
(Part 9):1992	determination of water content - Dry density relation using heavy compaction (Second Revision)
(Part 10):1991	determination of dry density - Moisture content relation by constant mass of soil method (First Revision)
(Part 11):1993	Determination of unconfined compressive strength (second revision)
(Part 12):1981	Determination of the shear strength parameters of a specimen tested in unconsolidated undrained triaxial compression without the measurement of pore water pressure(first revision)
(Part 13):1986	Determination of shear strength parameters of soil from consolidated undrained triaxial compression test with measurement of pore water pressure (first revision)
(Part 14):1983	Direct shear test (second revision)
(Part 15):1986	determination of density index (Relative Density) of cohesionless soils (First Revision)
(Part 16):1987	Determination of consolidation properties (first revision)
(Part 17) : 1986	laboratory determination of cbr (Second Revision)
(Part 18) : 1992	laboratory determination of permeability (First Revision)
(Part 19) : 1992	determination of field moisture equivalent (First Revision)
(Part 20) : 1992	determination of centrifuge moisture equivalent (First Revision)
(Part 21) : 1977	determination of linear shrinkage (First Revision)
(Part 22) : 1972	determination of total soluble solids (First Revision)
(Part 23) : 1976	determination of organic matter (First Revision)
(Part 24) : 1976	Determination of calcium carbonate
(Part 25) : 1982	determination of cation exchange capacity (First Revision)
(Part 26) : 1987	determination silica sesquioxide ratio (First Revision)
(Part 27) : 1977	determination of pH value (Second Revision)
(Part 28):1974	determination of total soluble sulphates (First Revision)
(Part 29):1975	Determination of dry density of soils in place, by the sand replacement method (first revision)
(Part 30):1980	Determination of dry density of soils in place, by the core cutter method (first revision)
(Part 31):1990	Laboratory vane shear test

	(Part 33):1971 (Part 34):1972 (Part 35):1974 (Part 36):1987 (Part 37):1976 (Part 38):1976 (Part 39/Sec 1):1977 (Part 39/Sec 2):1979 (Part 40):1977 (Part 41):1977	Field Determination of California Bearing Ratio (First Revision) Determination of the density in-place by the ring and water replacement method Determination of density of soils in-place by rubber-balloon method Measurement of negative pore water pressure Laboratory Determination of Permeability of Granular Soils (Constant Head) (First Revision) Determination of sand equivalent values of soils and fine aggregates Compaction control test (Hilf method) Direct shear test for soils containing gravel, Section 1 Laboratory test Direct shear test for soils containing gravel, Section 2 In-situ shear test determination of free swell index of soils measurement of swelling pressure of soils
(38)	2911 (Part 1/Sec 1):2010 (Part 1/Sec 2):2010 (Part 1/Sec 3):2010 (Part 1/Sec 4):2010 (Part 2):1980 (Part 3):1980 (Part 4):2013	Code of practice for design and construction of pile foundations Part 1 Concrete piles, Section 1 Driven cast in-situ concrete piles (<i>second revision</i>) Part 1 Concrete piles, Section 2 Bored cast in-situ concrete piles (<i>second revision</i>) Part 1 Concrete piles, Section 3 Precast driven concrete piles (<i>second revision</i>) Part 1 Concrete piles, Section 4 Precast concrete piles in prebored holes (<i>first revision</i>) Part 2 Timber piles (<i>first revision</i>) Part 3 Under-reamed pile foundation (<i>first revision</i>) Part 4 Load test on piles (<i>second revision</i>)
(39)	2911 (Parts 1/Sec 1) :2010 (Parts 1/Sec 2):2010 (Parts 1/Sec 3):2010 (Parts 1/Sec 4):2010	Design and construction of pile foundations - Code of practice Part 1 concrete piles: Section 1 driven cast in-situ concrete piles (<i>second revision</i>) Part 1 concrete piles: Section 2 bored cast in-situ concrete piles (<i>second revision</i>) Part 1 concrete piles: Section 3 driven precast concrete piles (<i>second revision</i>) Part 1 concrete piles: Section 4 precast concrete piles in prebored holes (<i>first revision</i>)
(40)	2950 (Part 1):1981	Code of practice for design and construction of raft foundations: Part 1 design (<i>second revision</i>)
(41)	14243 (Part 1):1995 (Part 2):1995	Selection and development of site for building in hill areas – Guidelines Part 1 Microzonation of urban centres Part 2 Selection and development
(42)	11134:1984	Code of practice for setting out of buildings

(43)	1888:1982 5249:1992	Method of load test on soils (Second Revision) Determination of dynamic properties of soil - Method of test (second revision)
(44)	2470 (Part 1):1985	Code of practice for installation of septic tanks: Part 1 design criteria and construction (Second Revision)
(45)	2720 (Part 31):1990	Methods of tests for soils Field Determination of California Bearing Ratio (First Revision)
(46)	3043:2018	Code of practice for earthing (Second Revision)
(47)	4078:1980	Code of practice for indexing and storage of drill cores (First Revision)
(48)	4434:1978	Code of practice for <i>In-situ</i> Vane Shear Test for Soils
(49)	4968 (Part 1):1976	Method for subsurface sounding for soils: Part 1 Dynamic method using 50 mm cone without bentonite slurry (<i>first revision</i>)
(50)	4968 (Part 2):1976	Method for subsurface sounding for soils: Part 2 Dynamic method using cone and bentonite slurry (<i>first revision</i>)
(51)	5249:1992	Determination of dynamic properties of soil - Method of test (second revision)
(52)	5529 (Part 1):2013	<i>In-situ</i> permeability test Part 1 Test in overburden - Code of practice
(53)	5529 (Part 2):2006	<i>In-situ</i> permeability test Part 2 Tests in bedrock (Second Revision)
(54)	6926:1996	Diamond core drilling - Site investigation for river valley projects - Code of practice (First revision)
(55)	10208:1982	Specification for diamond core drilling equipment
(56)	13372 (Part 1):1992	Seismic Testing of Rock Mass - Code of Practice: Part 1 Within a Borehole
(57)	13372 (Part 2):1992	Seismic Testing of Rock Mass - Code of Practice: Part 2 Between the Borehole
(58)	15681:2006	Geological exploration by geophysical method (Seismic Refraction) - Code of practice
(59)	15736:2007	Geological exploration by geophysical method (Electrical Resistivity) - Code of practice
(60)	4968 (Part 3):1976	Method for subsurface sounding for soils: Part 3 Static cone penetration test
