

BUREAU OF INDIAN STANDARDS

DRAFT FOR COMMENTS ONLY

(Not to be reproduced without permission of BIS or used as an Indian Standard)

भारतीय मानक मसौदा

ट्रैक्टर और ट्रेलर के बीच वैक्यूम और दबाव प्रणाली कनेक्शन के लिए 'संपर्क' प्रकार
की कपलिंग — विशिष्टि
(IS 12358 का पहला पुनरीक्षण)

Draft Indian Standard

**'CONTACT' TYPE COUPLING FOR VACUUM AND PRESSURE SYSTEMS
CONNECTION BETWEEN TRACTOR AND TRAILER — SPECIFICATION**
(First Revision of IS 12358)

ICS: 43.040.70

Not to be reproduced without permission of BIS
or used as standard

Last date for receipt of comments
is 12/02/2024

Transport Tractors, Trailers and Industrial Trucks Sectional Committee, TED 22

FOREWORD

(Formal clause to be added later on)

This Standard was first published in 1988.

In the preparation of this standard, assistance has been derived from BS AU 5: 1963 'specification for dimensions of a 'contact' type coupling for vacuum and pressure braking systems on trailers and semi-trailers', issued by the British Standards Institution (BSI).

This first revision incorporates the experience gained with the use of this standard and brings the standard in line with the latest development in the field.

The composition of the Committee responsible for the formulation of this standard is given in Annex A (**Will be added later**).

For the purpose of deciding whether a particular requirement of this standard is complied with, the final value, observed or calculated, expressing the result of test or analysis, shall be rounded off in accordance with IS 2: 2022 'Rules for rounding off numerical values (*second revision*)'. The number of significant places retained in the rounded off value should be the same as that of the specified value in this standard.

Draft Indian Standard

**‘CONTACT’ TYPE COUPLING FOR VACUUM AND PRESSURE SYSTEMS
CONNECTION BETWEEN TRACTOR AND TRAILER — SPECIFICATION**
(First Revision)

1 SCOPE

This standard specifies the form and dimensions of ‘contact’ type coupling for vacuum and pressure systems connection between tractor and trailer.

NOTE — Coupling for braking system shall be according to IS 9905.

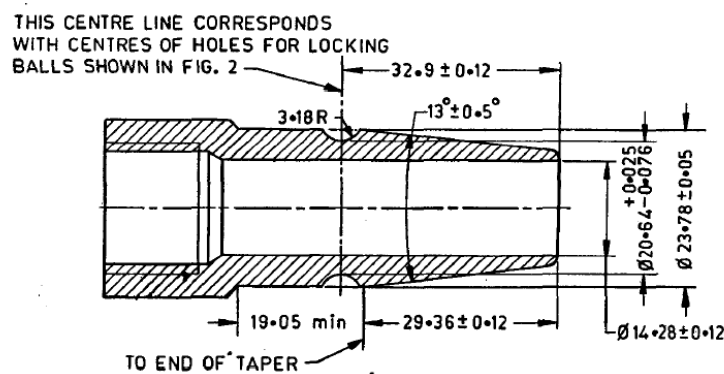
2 REFERENCES

The standard given below contain provisions which, through reference in this text, constitutes provision of this standard. At the time of publication, the edition indicated was valid. All standard are subject to revision, and parties to agreements based on this standard are encouraged to investigate the possibility of applying the most recent edition of the standard given below:

<i>IS No.</i>	<i>Title</i>
IS 9905: 1981	Specification for pneumatic coupling between tractors and trailers

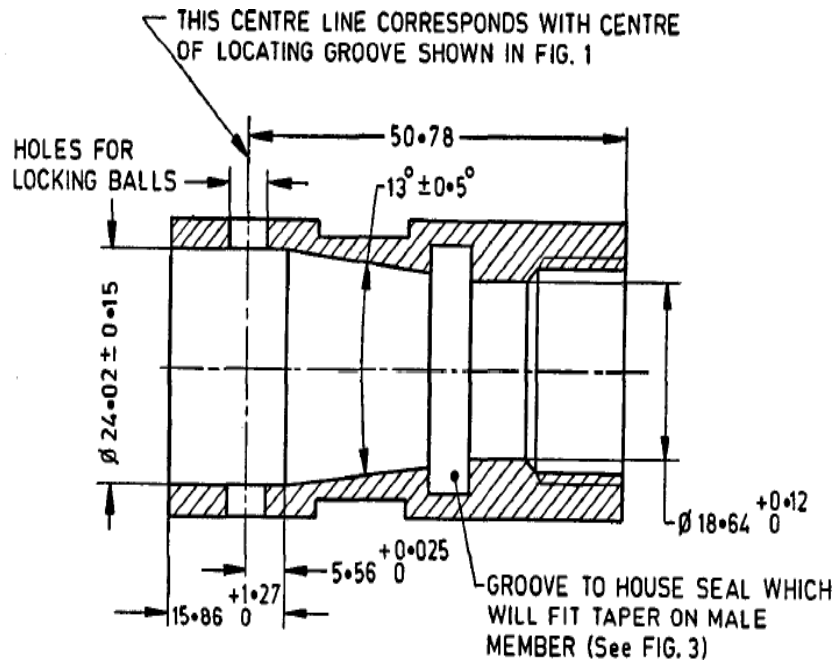
3 DIMENSIONAL

3.1 The dimensions and general arrangements of ‘contact’ type coupling shall be as shown in Fig. 1, 2 and 3.



All dimensions in millimetres.

FIG. 1 MALE MEMBER



All dimensions in millimetres.
FIG. 2 FEMALE MEMBER

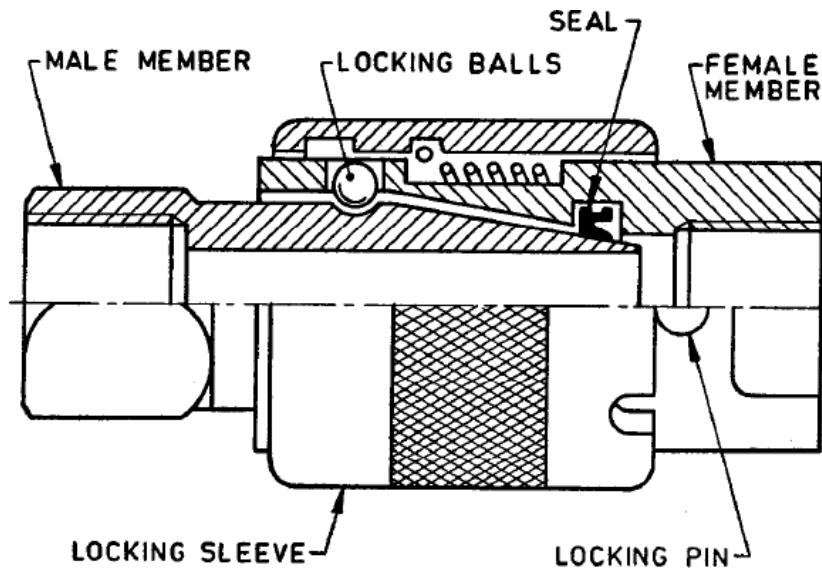


FIG. 3 HALF SECTIONED GENERAL ARRANGEMENT OF CONTACT COUPLING

4 BIS Certification Marking

4.1 Each 'Contact' type coupling may also be marked with the Standard Mark.

4.2 The use of the Standard Mark is governed by the provisions of the *Bureau of Indian Standards Act, 2016* and the Rules and Regulations made thereunder. The details of conditions

under which the license for the use of the Standard Mark may be granted to manufacturers or producers may be obtained from the Bureau of Indian Standards.

ANNEX A
(Foreword)

COMMITTEE COMPOSITION

Transport Tractors, Trailers and Industrial Trucks Sectional Committee, TED 22

Will be Added Later.